

Fachartikel 2013

Prof. Dr. Michael Braun

Technische Hochschule Nürnberg
Georg Simon Ohm
Keßlerplatz 12
90489 Nürnberg

Inhaltsverzeichnis

| | Seite |
|---|--------------|
| . | |
| Comparison Between Simulation- and Test Results of an Observer-Controlled MAGLEV Vehicle on Elastic Guideway | 15 |
| Ül[-Ö: ÖÖ* Ö Reinhold Meisinger, Wang Hui, Zhong Xiabo, Prof. Shen Gang | |
| | |
| Geometrische Synthese von Verzahnungen mit windschiefen Achsen | 17 |
| Dipl. ÖÖ* Ösajs Kans-Kagans, Prof. Dr.-Ing. Michael Haas | |

Comparison Between Simulation- and Test Results of an Observer-Controlled MAGLEV Vehicle on Elastic Guideway

Wang Hui Ph.D.

Zhong Xiaobo M.Sc.

Prof. Shen Gang Ph.D.

Urban Mass Transit Railway Research Institute
Tongji University Shanghai, China

Prof. Dr.-Ing. Reinhold Meisinger

Mechanical Engineering Department
Ohm University of Applied Sciences Nuremberg,
Germany

Abstract

Based on the full state-controller theory, a new observer-controller for MAGLEV vehicles considering the guideway elasticity was proposed in early publications in Germany and now realized in practice in China. It is expected to eliminate the phenomenon of the vehicle-guideway coupling vibration caused by the hypothesis of a rigid guideway, which usually happens in the current high-speed MAGLEV line, and reduce the over dependence of system stability on the guideway properties. A test rig for the elastic guideway levitation system was founded and the effectiveness of the new observer-controller was verified.

The research work was performed in 2010 and 2011 when Prof. Dr.-Ing. Reinhold Meisinger was Advisory Professor in the Urban Mass Transit Railway Institute at Tongji University in Shanghai.

1. Introduction

As a new kind transportation facility, MAGLEV vehicles are based on the principle of electromagnetic levitation and there is no mechanical contact in running. Compared with the traditional wheel-rail vehicles, the MAGLEV system offers a plenty of advantages, such as energy saving, less risk of derailment, low noise, less maintenance cost, etc. [1,2]. There are broad development prospects for the MAGLEV technology in the fields of the intercity high-speed rail transit and the medium-low-speed urban mass transit. Among the existing MAGLEV levitation systems, the normal conducting EMS with active control technology is a relatively developed technique. And the phenomenon of vehicle-guideway coupling vibration is one of the must-be-resolved problems [3]. Because of the flexibility of the guideway, the interaction happens between the running MAGLEV vehicle and guideway. The vehicle and the guideway may vibrate intensively if the controller is designed less appropriately, which will affect the stable operation of the vehicle. There always happens of the vehicle-guideway coupling vibration on the particular lines for the MAGLEV vehicles of German TR04, KOMET, Japanese HSST04 and American AMT [4,5]. The greater mass and stiffness of the guideway is the common engineering application to avoid the phenomena, but this will result in a substantial increase in the construction cost of the MAGLEV line, and severely limit the development and promotion of the MAGLEV. According to statistics, the completed projects the cost of the guideway beams takes 60%~80% of the total MAGLEV system cost [6]. In the recent decades, a lot of studies on the vehicle-guideway coupling vibration have been carried out and some progresses have been made. In an early computer simulation R. Meisinger [7,8] investigated new time variable observer-controllers for the coupled system of elastic MAGLEV vehicles with continuous magnet distribution running over elastic single- and double-span guideways. In order to improving the system performance, Young Chol Kim, et al. [9] taking the single magnet levitation system as the object, adjusted the feedback gain coefficients according to the disturbance and suspended mass with the gain scheduling approach. J.E. Snyder, et al. [10] obtained the dynamic equations of the vehicle-guideway coupling system by treating the guideway as the simply supported Bernoulli-Euler beam, and the effects on the system dynamic responses of the parameters were investigated, such as the mass ratio of vehicle and the beam, levitation stiffness, etc. P.K. Sinha, et al. [11] pointed out that the suitable system damping and the filter in the forward path could restrain the guideway vibration. With the simulation method, Xie Deyun, et al. [12,13] investigated the effects on the system frequency and the stiffness of the elastic beam. Fang Mingxia, et al. [14] developed a controller with the optimal control theory to improve the system stability. The studies mentioned above except [7] do not take directly control for the guideway, therefore they cannot eliminate its vibration fundamentally and the system will be unstable when the stiffness or the damping of the guideway is relatively lower. Liu Hengkun, et al. [15] indicated that the control method with the full states feedback theory might suppress the coupling vibration, but the unavailability of the full system states made it unachievable in practice. Therefore this paper compares simulation- and test results of a new observer-controller trying to solve the coupling problem. With this control method, it is expected to reduce the over dependence of system stability on the guideway properties and cut the construction cost of the guideway beam in practice.

2. Modeling of the System

The single magnet levitation system is the basic unit of the MAGLEV vehicle and stable levitation of the single magnet is the basis for the system to achieve stable operation [16,17,18,19]. So it is more versatile to study the dynamic characteristics of the single magnet system. Therefore, this paper simplifies the vehicle-guideway coupling system into the elastic guideway single-magnetic levitation model as shown in the Fig.1, and investigates its stability under the different control methods.

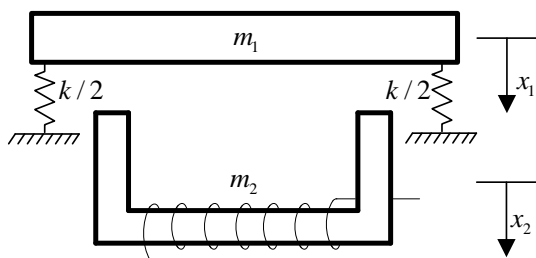


Fig.1 Vehicle-guideway coupling model

With the number of windings N and the pole area A the electromagnetic force F between the magnet and the guideway is [20]

$$F(t) = \frac{\mu_0 N^2 A}{4} \left[\frac{I(t)}{s(t)} \right]^2. \quad (1)$$

From the Eq.1, the force F is inversely proportional to the levitation gap s , which is the primary cause of the instability for the open-loop MAGLEV system. On the equilibrium levitation point, defining the nominal gap and the nominal current in the magnet coil as S_N, I_N respectively, the electromagnetic force F can be linearized and expressed as the following form:

$$F = -P_s (x_2 - x_1) + P_l I, \quad (2)$$

where P_s, P_l are the gap coefficient and the current coefficient, respectively.

In terms of the Newton's second law, the system dynamics equations can be expressed with guideway mass m_1 , magnet mass m_2 and guideway stiffness coefficient k as follows:

$$m_1 \ddot{x}_1 = F - kx_1 \quad (3)$$

$$m_2 \ddot{x}_2 = -F \quad (4)$$

Referring to the Refs. [7, 19,21], the electrical equation can be derived as

$$\dot{i} = -\frac{R}{L} I + (1-\eta) \frac{P_s}{P_l} (\dot{x}_2 - \dot{x}_1) + \frac{U}{L} \quad (5)$$

where R is the magnet electric resistance, L is the electrical inductance and U is the voltage across the magnet. As introduced in [7] η is the magnetic flux leakage on the equilibrium levitation point.

Substituting the Eq.2 into the Eq.4, the current I can be derived as

$$I = \frac{P_s}{P_l} (x_2 - x_1) - \frac{m_2}{P_l} \ddot{x}_2 \quad (6)$$

The derivation of the Eq.6 is

$$\ddot{x}_2 = \frac{P_s}{m_2} (\dot{x}_2 - \dot{x}_1) - \frac{P_l}{m_2} i \quad (7)$$

Taking $x_1, \dot{x}_1, x_2, \dot{x}_2, \ddot{x}_2$ as the state variables, the magnet vertical acceleration \ddot{x}_2 and the levitation gap $x_2 - x_1$ as the outputs of the system, the vehicle-guideway coupling model can be described as the following state-space equation.

$$\begin{aligned} \dot{X} &= AX + BU \\ Y &= CX \end{aligned} \quad (8)$$

$$X = [x_1 \quad \dot{x}_1 \quad x_2 \quad \dot{x}_2 \quad \ddot{x}_2]^T, \quad A = \begin{bmatrix} 0 & 1 & 0 & 0 & 0 \\ -\frac{k}{m_1} & 0 & 0 & 0 & -\frac{m_2}{m_1} \\ 0 & 0 & 0 & 1 & 0 \\ 0 & 0 & 0 & 0 & 1 \\ -\frac{P_s R}{m_2 L} & -\frac{\eta P_s}{m_2} & \frac{P_s R}{m_2 L} & \frac{\eta P_s}{m_2} & -\frac{R}{L} \end{bmatrix},$$

$$B = \begin{bmatrix} 0 & 0 & 0 & 0 & -\frac{P_l}{m_2 L} \end{bmatrix}^T, \quad C = \begin{bmatrix} -1 & 0 & 1 & 0 & 0 \\ 0 & 0 & 0 & 0 & 1 \end{bmatrix}.$$

3. Test Rig for the Elastic Guideway Single-Magnet Levitation System

A test rig for the elastic guideway single magnetic levitation system is founded in order to verify the effectiveness of the control methods. The test rig is composed of a single magnet levitation table, a power amplifier, dSPACE, a direct current power supply, etc, and the main parameters of the test rig are shown in the Tab.1. For the single magnet levitation table, shown by the Fig.2, the magnet is bolted at one end of the swing arm and the other end of the arm is pinned to the foundation, so that the movement of the magnet can be regarded as a linear movement in the vertical direction when arm swiveling within a small angle range. The guideway (the steel plate in the Fig.1) is connected to the foundation via the springs, and it can vibrate vertically. The vibration of the guideway beam in practice is simplified as the guideway vibration. By alternating the different springs, the natural frequency of the guideway can be changed. The gap coefficient P_s , the current coefficient P_I and the magnetic flux leakage η in the Tab.1 are all obtained by the experiments.

Tab. 1 Parameters of the test rig

| Physical quantities | values |
|--|-------------|
| Mass of the magnet, m_2 (equivalent) | 1.8kg |
| Mass of the guideway, m_1 | 0.8kg |
| Electric resistance of the magnet, R | 12 Ω |
| Electric inductance of the magnet, L (gap: 10mm) | 0.3H |
| Magnetic flux leakage η (gap: 10mm) | 0.65 |
| Stiffness of the springs k | 1.0e4N/m |
| Gap coefficient, P_s | 3382N/m |
| Current coefficient, P_I | 15.75N/A |
| Acceleration sensor | LC0701-5 |
| Gap sensor | LXC-M05P2 |
| DC power supply | PS-605D |

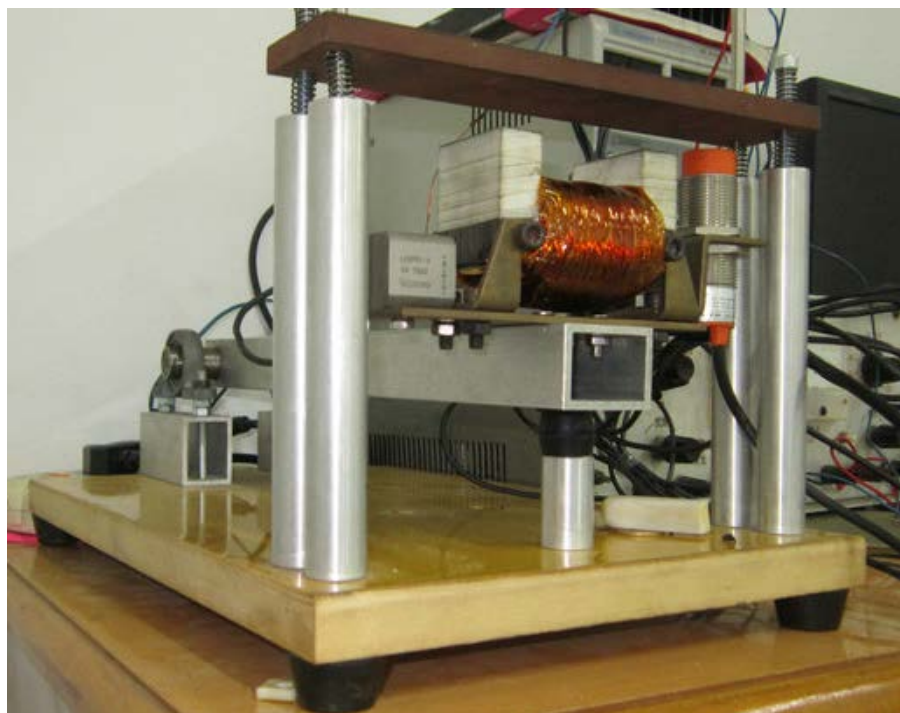


Fig. 2 Test rig for the elastic guideway single-magnet levitation system

4. Controller Design

4.1 State Observer

Feedback control is a general method for most controllers. The feedback information is usually composed of the state variables, but not all the state variables are measurable in physics [22]. However, the system state variables can be obtained by state observer if the system is observable. In the design of the magnetic levitation control system, for the velocity sensor still cannot reach the required measurement accuracy by the present technique, the vertical oscillation velocities of the magnet and the guideway are not available. Therefore, the acceleration sensor and the gap sensor are used to get the magnet acceleration and the air gap as shown in the Tab.1, and the other state variables including the vertical velocity, displacement of the guideway and the magnet are derived by the state observer.

The judgment matrixes of the system controllability and observability can be described respectively as follows:

$$M = [B \quad AB \quad A^2B \quad A^3B \quad A^4B]$$

$$N = [C \quad CA \quad CA^2 \quad CA^3 \quad CA^4]^T$$

Substituting the related values into the two matrixes M and N, the calculation results show they are all full-ranks matrixes, which means the system described by the Eq.8 is controllable and observable.

The schematic diagram of the observer is shown in the Fig.3, in which G is the feedback matrix of the output errors (observer feedback matrix).

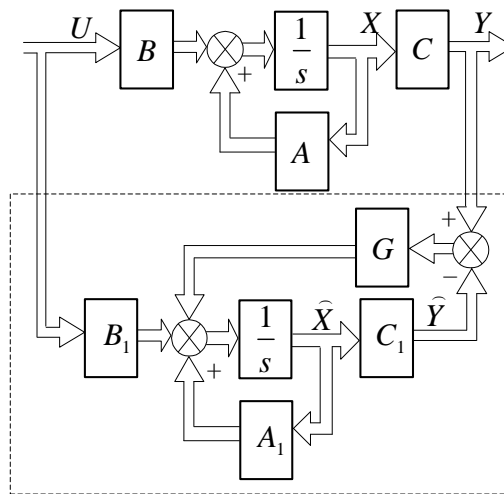


Fig.3 State observer

4.2 Control Method Without Considering the Guideway Vibration

The control method without considering the guideway vibration ignores the vibration of the guideway. So there are only 3 feedback variables x_2 , \dot{x}_2 and \ddot{x}_2 in designing the controller, which stand for the displacement, velocity and acceleration of the magnet. Therefore, the control law can be expressed by the following equation:

$$U = -K\hat{X} = -K_1\hat{x}_2 - K_2\dot{\hat{x}}_2 - K_3\ddot{\hat{x}}_2 \quad (9)$$

where $K = [K_1 \quad K_2 \quad K_3]$ and $\hat{X} = [\hat{x}_2 \quad \dot{\hat{x}}_2 \quad \ddot{\hat{x}}_2]^T$. K is the controller feedback vector and \hat{X} is the state vector obtained by the state observer. So, the matrixes A_1 , B_1 , C_1 of the state observer shown in the Fig.3 should be written as follows.

$$A_1 = \begin{bmatrix} 0 & 1 & 0 \\ 0 & 0 & 1 \\ \frac{P_s R}{m_2 L} & \eta \frac{P_s}{m_2} & -\frac{R}{L} \end{bmatrix}, \quad B_1 = \begin{bmatrix} 0 \\ 0 \\ -\frac{P_f}{m_2 L} \end{bmatrix}, \quad C_1 = \begin{bmatrix} 1 & 0 & 0 \\ 0 & 0 & 1 \end{bmatrix}$$

The feedback matrix of the output errors G and the controller feedback vector K can be calculated with the method of the Pole Placement or the Linear Quadratic Control method as [23,24,25,26,27]:

$$K = [-4712.2 \quad -190.0 \quad -2.43]$$

$$G = \begin{bmatrix} 56.86 & 2286.87 & 91978.6 \\ 0.015 & 0.586 & 23.58 \end{bmatrix}^T$$

Taking $x_1, \dot{x}_1, x_2, \dot{x}_2, \ddot{x}_2, \hat{x}_2, \dot{\hat{x}}_2, \ddot{\hat{x}}_2$ as the state variables, the closed-loop system matrix is 8-dimensional, and can be written as the following form.

$$A_r = \begin{bmatrix} A & -BK \\ GC & A_1 - GC_1 - B_1 K \end{bmatrix} \tag{10}$$

The matrix A_r is 8-dimensional and the distributions of its characteristic roots have the closed relationships with the dynamic behavior of the system. Substituting the values shown in the Tab.1 into the Eq.10 and making the natural frequency of the guideway changes in the scope of 1Hz~100Hz by changing the spring stiffness, the characteristic roots of the matrix A_r are calculated. And then, the maximum real parts of the roots in every case are picked up and drawn out in the Fig.4. The figure shows that with the increase of the guideway natural frequency or the stiffness, the maximum real parts decrease and tend to 0, but they are always above 0, which means the system is unstable. Assuming the initial vertical position of the magnet is deviated from the equilibrium point 5mm and the natural frequency of the guideway is 17.8Hz (same values will be taken in the following time-domain simulation if without special version), the displacement response of the magnet is calculated and the result is shown in the Fig.5. Fig.6 also shows that the control method without considering the guideway vibration cannot make the system stable if there is damping for the guideway.

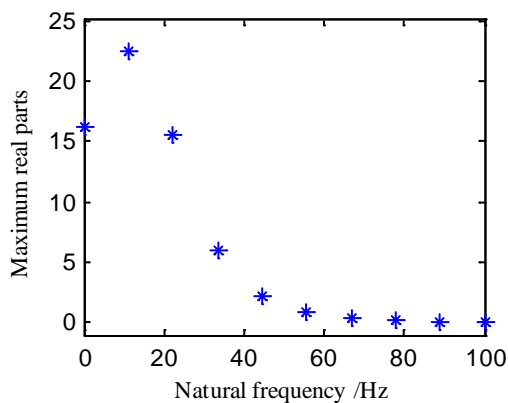


Fig.4 Maximum real parts vs. guideway natural frequency

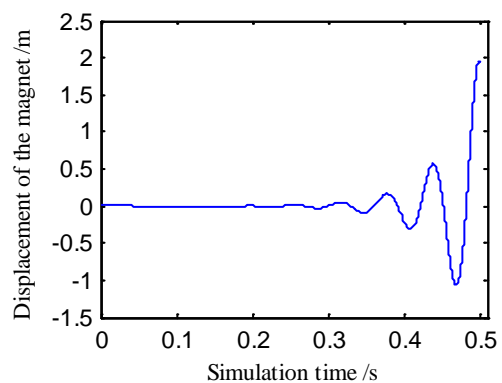


Fig. 5 Displacement of the magnet

The Eq.3 becomes the following form if considering the damping effect of the guideway. Then the matrix A_r should be changed accordingly with the guideway damping coefficient c , but it will not be restarted here for the continuity of the paper:

$$m_1 \ddot{x}_1 = F - kx_1 - c\dot{x}_1 \tag{11}$$

Taking the guideway damping with $c = 10N \cdot s/m$ into account and assuming guideway natural frequency changes in the scope of $1Hz \sim 100Hz$, the characteristic roots of the matrix A_r are calculated. The maximum real parts of the roots for the different frequencies are shown in the Fig.6. The figure shows that with the increase of the natural frequency, the maximum real parts decrease and become negative when the frequency or the stiffness is above a certain value, which means the system can be stable if the guideway stiffness is hard enough. That is why the guideway beams are built as hard as possible in practice. The time-domain simulation result (for a natural frequency of the guideway of $35Hz$) shown in the Fig.7 indicates that it takes about $0.2s$ for the system to reach the steady state and the maximum overshoot is about 8% .

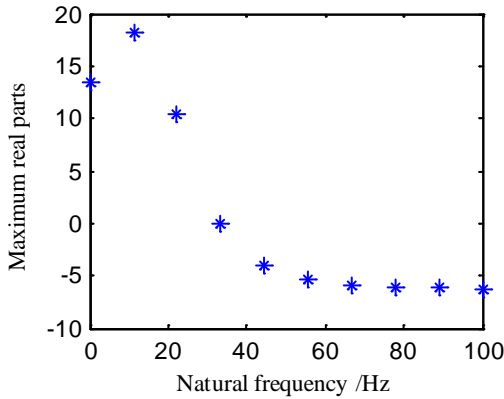


Fig. 6 Maximum real parts vs. guideway natural frequency

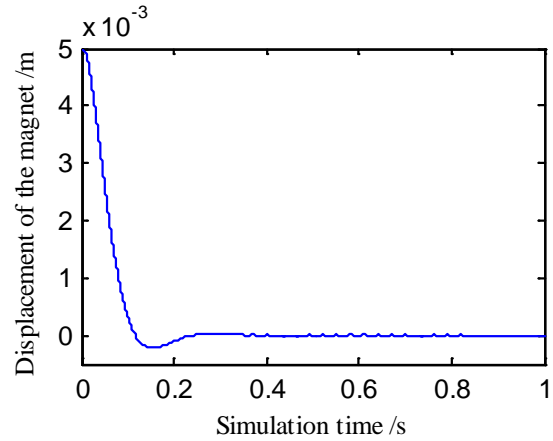


Fig. 7 Displacement of the magnet

4.3 Control Method Considering the Guideway Vibration

From the analysis results above, if there is no guideway damping effect, the control method without considering the guideway vibration cannot maintain the MAGLEV system stable; Although there exists a certain damping for the guideway beam in practice, the stable operation of the MAGLEV vehicles is at the expense of the greater stiffness of the beam and higher construction cost of the MAGLEV line.

The control method above takes the velocity, acceleration of the magnet and the levitation gap as the feedback variables to design the control law. It is easy to see that, among the three variables, only the levitation gap reflects partly the vibration state of the guideway. That is to say, as an important component part of the MAGLEV system, the guideway's vibration information is not fully introduced into the control system. This is why the control method without considering the guideway vibration with the chosen values of K and G cannot maintain the system stable. For this reason, this paper, using the state observer, introduces the guideway's vibration states (for zero vehicle speed) into the control system, and develops the controller with the full state feedback.

Therefore, there are 5 feedback variables: \hat{x}_1 , $\hat{\dot{x}}_1$, \hat{x}_2 , $\hat{\dot{x}}_2$, $\hat{\ddot{x}}_2$, and the control law can be written as follows:

$$U = -K\hat{X} = -K_1\hat{x}_1 - K_2\hat{\dot{x}}_1 - K_3\hat{x}_2 - K_4\hat{\dot{x}}_2 - K_5\hat{\ddot{x}}_2 \quad (12)$$

Where $K = [K_1 \ K_2 \ K_3 \ K_4 \ K_5]$ and $\hat{X} = [\hat{x}_1 \ \hat{\dot{x}}_1 \ \hat{x}_2 \ \hat{\dot{x}}_2 \ \hat{\ddot{x}}_2]^T$. K is the controller feedback vector and \hat{X} is the state vector obtained by the state observer. Taking x_1 , \dot{x}_1 , x_2 , \dot{x}_2 , \ddot{x}_2 , \hat{x}_1 , $\dot{\hat{x}}_1$, \hat{x}_2 , $\dot{\hat{x}}_2$, $\ddot{\hat{x}}_2$ as the state variables, the closed-loop system matrix A_r is 10-dimensional, and can be described as the following form:

$$A_r = \begin{bmatrix} A & -BK \\ GC & A - GC - BK \end{bmatrix} \quad (13)$$

Assuming the natural frequency of the guideway is $17.8 Hz$, and ignoring the damping of the guideway, the controller feedback vector K and the feedback matrix of the output errors G are obtained with the Linear Quadratic Control Method as:

$$K = [1455.9 \quad 167.5 \quad -7256.2 \quad -319.0 \quad -6.6]$$

$$G = \begin{bmatrix} -42.8 & -3100.5 & 63.0 & 2511.7 & 11218.9 \\ -0.001 & -2.3 & 0.001 & 1.0 & 3122.3 \end{bmatrix}^T$$

And then, the characteristic roots of the matrix A_r are calculated: $\lambda_1 = -3163.86$, $\lambda_2 = -185.92$, $\lambda_{3,4} = -24.94 \pm 111.05i$, $\lambda_{5,6} = -27.57 \pm 110.07i$, $\lambda_{7,8} = -25.39 \pm 42.36i$, $\lambda_{9,10} = -22.37 \pm 21.01i$.

All the real parts of the roots are negative, so the closed-loop system is stable. The time-domain simulation is carried out and the displacement responses of the magnet and the guideway are shown in the Fig.8 and Fig.9. The figures indicate that the system takes about 0.2s to reach the steady state and the maximum overshoot is 4%. The simulation results verify the effectiveness of the control method.

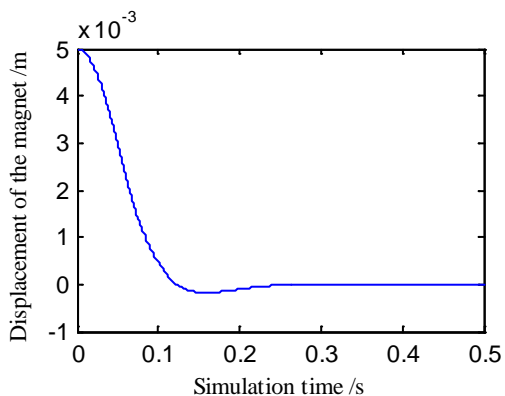


Fig. 8 Displacement of the magnet

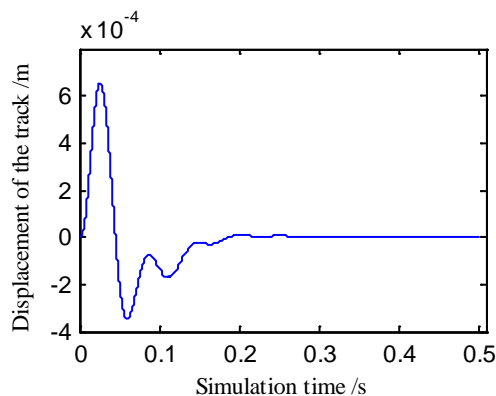


Fig. 9 Displacement of the guideway

4.4 Verification Test of the Control Method on the Test Rig

The verification test of the control method considering the guideway vibration is carried out on the test rig. The spring stiffness is 10000 N/m , and the other parameters are shown in the Tab.1. For the limitation of the gap sensor range, the initial gap between the magnet and the guideway is set 13.3mm. From the Fig.10, the test result indicates that the system takes about 0.3s to reach the steady state and the maximum overshoot is 0.2mm. Compared with the test result, the simulation result shows the settling time is about 0.2s, and the overshoot is a little bigger. Considering the simplification of the mathematical model and the parameter errors of the test rig, the simulation result and the test result are coincident with each other, which means the simulation model is correct and the control method is effective.

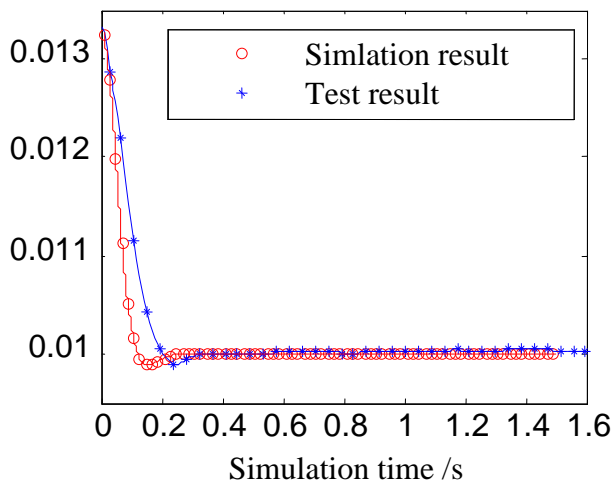


Fig. 10 Displacement of the magnet /m

For the limitation of the gap sensor range, the initial gap between the magnet and the track is set 13.3mm . From the Fig.10, the test result indicates that the system takes about 0.3s to reach the steady state and the maximum overshoot is 0.2mm . Compared with the test result, the simulation result shows the settling time is about 0.2s , and the overshoot is a little bigger. Considering the simplification of the mathematical model and the parameter errors of the test rig, the simulation result and the test result are coincident with each other, which means the simulation model is correct and the control method is effective.

5. Conclusion

For the solution of the vehicle-guideway coupling vibration in the MAGLEV system and reduction the over dependence of system stability on the guideway properties, a new control strategy based on the full state observer-controller theory was realized. The dynamic characteristics of the MAGLEV system under different control methods were investigated, and the following conclusions can be drawn: (1) If there is no the guideway damping effect, the control method without considering the guideway vibration cannot maintain the MAGLEV system stable; For there exists a certain damping effect for the guideway in practice, the greater guideway stiffness can also make the MAGLEV vehicles operate steadily, but it is at the expense of a higher project cost. (2) The control method considering the guideway vibration introduces the guideway's vibration states into the control system using the state observer. Even if ignoring the damping effect of the guideway, the magnet can levitate steadily on the guideway with soft stiffness, which has been testified by the simulation and the test. With this control method, it is expected to reduce the over requirement of the guideway beam performance and save the construction cost of the MAGLEV line.

References

- [1] Wu Xiangming: MAGLEV Train Shanghai. Shanghai Science and Technology Press, 2003, pp. 25-46.
- [2] Hyung-Woo Lee, Ki-Chan Kim, Ju Lee: Review of MAGLEV Train Technologies . IEEE Transactions on Magnetics, 2006, 42(7), pp. 1917-1925.
- [3] Shi Xiaohong: Research on the Guideway-Vehicle Coupling Nonlinear Dynamic Problems of the EMS High-Speed MAGLEV. Changsha National University of Defense Technology, 2005.
- [4] Deng Yongquan, Luo Shihui: Stability Research and Simulation of a Single Magnetic System. Electric Locomotives & Mass Transit Vehicles, 2011, 2(34), pp. 1-4.
- [5] Meisinger, R., Shu Guangwei: 40 Years MAGLEV Vehicles in Germany. Schriftenreihe Fachartikel, Ohm-Hochschule Nürnberg, Heft 19, 2011, S. 5-13.
- [6] Tao Xing. Research on the Low-Speed Magnetic Levitation Rail Beam Key Design Parameters. Shanghai Tongji University, 2008, pp.16-17.
- [7] Meisinger, R.: Control Systems for Flexible MAGLEV Vehicles Riding over Flexible Guideways. Proc. of the IUTAM Symposium on the Dynamics on Vehicles on Roads and Railway Tracks, Delft, 1975, pp. 531-554.
- [8] Meisinger, R.: Vehicle-Guideway Dynamics of a High Speed MAGLEV Train. Shang Hai Li Xue (Shanghai Journal of Mechanics), Vol 12, 1991, pp.10-20.
- [9] Young Chol Kim: Gain Scheduled Control of Magnetic Levitation System. Proc. of the American Control Conference, 1994, pp. 3127-3131.
- [10] Snyder, J.E.: Dynamic Interactions Between Vehicles and Elevated Flexible Randomly Irregular Guideways. Journal of Dynamic System Measurement and Control. 1977, 99(1), pp. 23-33.
- [11] Jayawant B.V., Sinha P.K.: Low-Speed Vehicle Dynamics and Ride Quality Using Controlled DC Electromagnets. Automatica, 1977, 13(8), pp. 605-610.
- [12] Xie Yunde, Chang Wensen; Modeling and Simulation of Electromagnetic Suspension Vehicle System (EMS) in Vertical Direction. Journal of the China Railway Society, 1996, 18(4), pp. 47-54.
- [13] Xie Yunde, Chang Wensen: Calculation of the Force with Single Magnet and Research of its Suspension Stability and Controllability on Electromagnetic Suspension Vehicle System. Journal of the China Railway Society, 1995, 16(1), pp. 41-48.
- [14] Fang Mingxia, Tu Juan, Feng Qi, Ma Xing: Dynamics Research of MAGLEV Train on Elastic Guideway. Noise and Vibration Control, 2001(6), pp. 23-26.
- [15] Liu Hengkun, Hao Aming, Chang Wensen: On Control Methods of the Magnetic Suspension System on Elastic Track. Control Engineering of China, 2008, 15(4), pp. 392-394.
- [16] Yau J.D.: Vibration Control of MAGLEV Vehicles Traveling Over a Flexible Guideway. Journal of Sound and Vibration, 2009 (321), pp. 184-200.

- [17]Zhang Yi, Hu Jishi, Jiang Qilong: Self-Adaptive Control Method for MAGLEV System]. *Electric Locomotives & Mass Transit Vehicles*, 2005, 28(6), pp. 5-7.
- [18]Gottzein E., Lange B.: Magnetic Suspension Control System for the MBB High Speed Train. *Automatica*, 1975(13), pp. 271-284.
- [19]Gottzein, E., Meisinger, R., Miller, L.: The Magnetic Wheel in the Suspension of High-Speed Ground Transportation Vehicles. *IEEE Transactions on Vehicular Technology*, 1980 (1), pp.17-23.
- [20]She Longhua, Liu Guidong: Research on Dynamics Characteristic of Single Magnetic Levitation Control System. *Electric Locomotives & Mass Transit Vehicles*, 2006, 29(3), pp. 7-19.
- [21]Zhang Siyuan: The Design of Digital Control Method for MAGLEV. Shanghai: Tongji University, 2009.
- [22]Liu Bao, Tang Wansheng: Theory of Modern Control, Beijing: Mechanical Industry Press, 2011, pp. 89-106.
- [23]Meisinger, R., Shu, Guangwei, Shao, Yulin: Design for the Controller of the MAGLEV Train by Quadratic Function Optimization. *Journal of Tongji University, Shanghai*, 1991(19), pp. 349-353.
- [24]Meisinger, R., Shu Guangwei, Cui Ziwei: Simulation of a MAGLEV System with MATLAB/SIMULINK. Proc. of 2002 Asian Simulation Conference, Shanghai, China, 2002.
- [25]Shen, Gang, Meisinger, R., Shu, Guangwei: Modeling of a High Speed MAGLEV Train with Vertical and Lateral Control. Proc. of 20th IAVSD Symposium, Berkeley, Cal., USA, 2007.
- [26]Shu, Guangwei, Meisinger, R., Shen, Gang: Simulation of a MAGLEV Train with Periodic Guideway Deflections. Proc. of 2008 Asian Simulation Conference, Beijing, China, 2008.
- [27]Meisinger, R., Shu, Guangwei, Shen, Gang: Controller Design and State Estimation with a KALMAN-Filter for a High-Speed MAGLEV Vehicle. Proc. of the Third International Conference on Dynamics, Vibration and Control, Hangzhou, China, 2010.

Geometrische Synthese von Verzahnungen mit windschiefen Achsen (Grenzfall)

Dipl.-Ing. Isajs Kans-Kagans

Riga, Lettland

Prof. Dr.-Ing. Michael Haas

Technische Hochschule Nürnberg Georg Simon Ohm

Abstract

Die Anregung der im Nachfolgenden dargestellten Untersuchung verdanken die Verfasser Herrn Prof. Dr.-Ing. Dieter Tremmel.

Das vorliegende Werk kann als Fortsetzung der Arbeiten [1] und [2] angesehen werden. Es handelt sich um die geometrische Synthese von Verzahnungen mit windschiefen Achsen, die aus einem schräg- und einem geradverzahnten Zahnrad bestehen. In der umfangreichen Literatur, die der Geometrie der Verzahnungen gewidmet ist (vgl. z.B. [3]-[14]), ist für diesen Fall kein einziges konkretes Beispiel zu finden.

Inhaltsverzeichnis

| | | |
|----|--|----|
| 1. | Einleitung | 21 |
| 2. | Von einer Schraubenfläche zur konjugierten zylindrischen Oberfläche..... | 22 |
| 3. | Überprüfung auf Durchdringungsfreiheit..... | 25 |
| 4. | Ein Beispiel zur Anwendung des Verfahrens..... | 26 |
| 5. | Der Fall eines Kreisevolventen-Ausgangsprofils | 30 |
| 6. | Von einer zylindrischen Oberfläche zur konjugierten Schraubenfläche..... | 33 |
| 7. | Ein weiteres Beispiel zur Anwendung des Verfahrens | 38 |
| 8. | Der Fall eines Kreisevolventen-Ausgangsprofils | 40 |
| 9. | Literaturverzeichnis..... | 42 |

1. Einleitung

Neben dem in [2] betrachteten Problem der geometrischen Synthese einer Verzahnung von zwei echten Schraubenflächen mit windschiefen Achsen ist auch das Problem der geometrischen Synthese einer aus einer echten Schraubenfläche und einer zylindrischen Oberfläche bestehenden Verzahnung denkbar. Auch in diesem Fall sollen die Achsen der Oberflächen windschief sein. Dieses Problem kann auf zweierlei Weise betrachtet werden: Man kann entweder zu einer gegebenen Schraubenfläche die zugehörige zylindrische Oberfläche ermitteln oder zu einer vorgegebenen zylindrischen Oberfläche die konjugierte Schraubenfläche bestimmen. Beide Vorgehensweisen werden in der vorliegenden Abhandlung betrachtet.

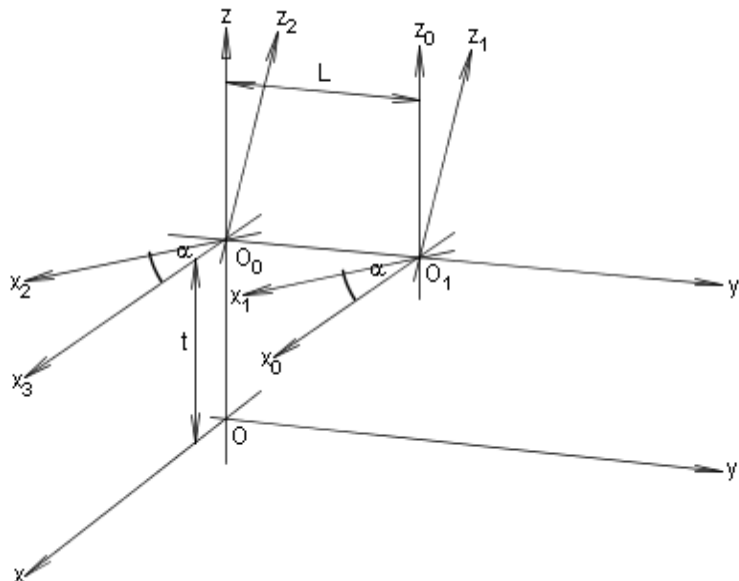


Abbildung 1

In Abbildung 1 sind die verwendeten Koordinatensysteme dargestellt. Die Oz-Achse stellt immer die Achse der gegebenen bzw. zu ermittelnden Schraubenfläche dar, während es sich bei der O1z1-Achse immer um die Rotationsachse der zu ermittelnden bzw. gegebenen zylindrischen Oberfläche handelt.

Zwischen den Koordinatensystemen Oxyz und O1x1y1z1 besteht der in den Gleichungen (1.1) und (1.2) beschriebene Zusammenhang

$$\begin{cases} x = x_3 = x_0 = x_1 \cos \alpha - z_1 \sin \alpha \\ y = y_1 + L \\ z = z_0 + t = x_1 \sin \alpha + z_1 \cos \alpha + t \end{cases} \quad (1.1)$$

$$\begin{cases} x_1 = x \cos \alpha + (z - t) \sin \alpha \\ y_1 = y - L \\ z_1 = -x \sin \alpha + (z - t) \cos \alpha \end{cases} \quad (1.2)$$

Ohne Beschränkung der Allgemeinheit betrachten wir im Folgenden nur Schraubenflächen mit Rechtswindung. Weiterhin wollen wir annehmen, dass die gegebene bzw. zu ermittelnde Schraubenfläche immer entgegen dem Uhrzeigersinn um die Oz-Achse rotiert (von positiver Achsrichtung aus betrachtet). Beide Annahmen zusammen sind äquivalent zu der Annahme, dass die Schraubenfläche immer in negativer Oz-Richtung („nach unten“) verschoben wird. Man kann sich deshalb die Relativbewegungen der beiden die Verzahnung bildenden Oberflächen so vorstellen, als bliebe die Schraubenfläche in Bezug auf das Oxyz-Koordinatensystem in Ruhe, während sich das Koordinatensystem O1x1y1z1 zusammen mit der gleichzeitig um die O1z1-Achse rotierenden zylindrischen Oberfläche in positiver Oz-Richtung („nach oben“) verschiebt.

Wir nehmen an, dass jeder Umdrehung der Schraubenfläche um die Oz-Achse um einen beliebigen Winkel ϕ eine gleichzeitige Umdrehung der zylindrischen Oberfläche um die O1z1-Achse um einen Winkel $k\phi$ entspricht,

wobei k einen konstanten (von ϕ unabhängigen) Faktor darstellt. Dazu ist eine Regel für die Bestimmung des Vorzeichens der Größe k erforderlich. Hierzu wählen wir die Richtungen der Vektoren $\vec{\omega}$ der Winkelgeschwindigkeit der Schraubenfläche und $\vec{\omega}_1$ der Winkelgeschwindigkeit der zylindrischen Oberfläche so, dass vom Zielpunkt des entsprechenden Vektors aus betrachtet jede dieser zwei Oberflächen entgegen dem Uhrzeigersinn rotiert. Dann sei $k > 0$, wenn das Tripel $(\vec{\omega}, \overline{O_1O}, \vec{\omega}_1)$ ein Rechtssystem bildet¹, ansonsten sei $k < 0$.

Mit der Zähnezahlnzahl n der Schraubenfläche und der Zähnezahlnzahl n_1 der zylindrischen Oberfläche gilt die Gleichung

$$\frac{2\pi}{n_1} = |k| \frac{2\pi}{n},$$

woraus folgt

$$|k| = \frac{\omega_1}{\omega} = \frac{n}{n_1}.$$

2. Von einer Schraubenfläche zur konjugierten zylindrischen Oberfläche

Als erstes wird das Problem der Ermittlung einer zylindrischen Oberfläche betrachtet, die mit einer gegebenen Schraubenfläche eine regelmäßige Verzahnung bildet.

Die gegebene Schraubenfläche ist im Koordinatensystem $Oxyz$ durch die Gleichungen (2.1) definiert

$$\begin{cases} x = \rho(\zeta) \cos\left(\zeta + \frac{2\pi}{T} \xi\right) \\ y = \rho(\zeta) \sin\left(\zeta + \frac{2\pi}{T} \xi\right), \\ z = \xi \end{cases} \quad (2.1)$$

mit den beiden unabhängigen Parametern ζ und ξ . $\rho(\zeta)$ sei die Gleichung des Stirnschnitts dieser Schraubenfläche in Polarkoordinaten mit Ursprung auf der zugehörigen Achse. ζ und ρ sind der Polarwinkel bzw. der Polarradius. ξ wird entlang der Oz -Achse in positiver Richtung von einer beliebigen, zur Achse senkrechten Ebene gemessen. Wir setzen voraus, dass der Winkel ζ entgegen dem Uhrzeigersinn gemessen wird (von positiver Richtung der Oz -Achse aus betrachtet). Dann muss für eine Schraubenfläche mit Rechtswindung die Steigung T positiv sein.

In einer Anordnung, in der sich die als unbeweglich betrachtete Schraubenfläche (2.1) und die zu ermittelnde zylindrische Oberfläche berühren, muss die durch einen beliebigen Berührungspunkt verlaufende Mantellinie der zylindrischen Oberfläche zur Tangentialebene der Schraubenfläche am betreffenden Punkt gehören. Insbesondere muss diese Mantellinie mit den zwei die Tangentialebene aufspannenden, nicht kollinearen Vektoren (2.2) und (2.3) komplanar sein. Die Komponenten des Richtungsvektors der O_1z_1 -Achse im Koordinatensystem $Oxyz$ sind $\{-\sin \alpha, 0, \cos \alpha\}$. Die analytische Bedingung der Komplanarität ist in (2.4) dargestellt.

¹ Zeigt der Daumen der rechten Hand in Richtung von $\vec{\omega}$ und der Zeigefinger in Richtung von $\overline{O_1O}$, so zeigt der Mittelfinger in Sinne der Rechten-Hand-Regel in Richtung des Vektors $\vec{\omega}_1$.

$$\begin{cases} -\frac{2\pi}{T} \rho(\zeta) \sin\left(\zeta + \frac{2\pi}{T} \xi\right) \\ \frac{2\pi}{T} \rho(\zeta) \cos\left(\zeta + \frac{2\pi}{T} \xi\right), \\ 1 \end{cases} \quad (2.2)$$

$$\begin{cases} -\sin\left[\zeta + \frac{2\pi}{T} \xi - \arctan \frac{\rho'(\zeta)}{\rho(\zeta)}\right] \\ \cos\left[\zeta + \frac{2\pi}{T} \xi - \arctan \frac{\rho'(\zeta)}{\rho(\zeta)}\right], \\ 0 \end{cases} \quad (2.3)$$

$$\begin{vmatrix} -\sin \alpha & -\frac{2\pi}{T} \rho(\zeta) \sin\left(\zeta + \frac{2\pi}{T} \xi\right) & -\sin\left[\zeta + \frac{2\pi}{T} \xi - \arctan \frac{\rho'(\zeta)}{\rho(\zeta)}\right] \\ 0 & \frac{2\pi}{T} \rho(\zeta) \cos\left(\zeta + \frac{2\pi}{T} \xi\right) & \cos\left[\zeta + \frac{2\pi}{T} \xi - \arctan \frac{\rho'(\zeta)}{\rho(\zeta)}\right] \\ \cos \alpha & 1 & 0 \end{vmatrix} = 0 \quad (2.4)$$

Aus (2.4) folgt unmittelbar

$$\xi = \frac{T}{2\pi} \left\{ \arctan \frac{\rho'(\zeta)}{\rho(\zeta)} - \zeta + \arccos \left[\frac{2\pi}{T} \frac{\rho(\zeta) \rho'(\zeta)}{\sqrt{[\rho(\zeta)]^2 + [\rho'(\zeta)]^2}} \cot \alpha \right] \right\}. \quad (2.5)$$

Beziehung (2.5) bestimmt genau jene Punkte der Schraubenfläche (2.1), in denen diese sich mit der zu ermittelnden zylindrischen Oberfläche berühren darf. Auf der der Gleichung (2.5) entsprechenden Linie² müssen für jede Verschiebung t die Punkte ermittelt werden, die der folgenden Bedingung genügen: Stimmt mit einem dieser Punkte bei der fixierten Verschiebung ein an die zu ermittelnde zylindrische Oberfläche gebundener Punkt überein, so berührt bei derselben Verschiebung der Vektor der Momentangeschwindigkeit des letztgenannten Punktes die Oberfläche (2.1) im selben Punkt.

Die oben erwähnte Momentangeschwindigkeit setzt sich aus zwei Komponenten zusammen: Der Geschwindigkeit der Translation des Koordinatensystems $O_1x_1y_1z_1$ bezüglich des Koordinatensystems $Oxyz$ und aus der Momentangeschwindigkeit des an die zu ermittelnde Oberfläche gebundenen Punktes bezüglich des Koordinatensystems $O_1x_1y_1z_1$.

Letztere Komponente der Momentangeschwindigkeit kann analytisch bezüglich des Koordinatensystems $O_1x_1y_1z_1$ als Vektorprodukt

$$\vec{v}_1 = \begin{vmatrix} \vec{e}_1 & \vec{e}_2 & \vec{e}_3 \\ 0 & 0 & \omega_1 \\ x_1 & y_1 & z_1 \end{vmatrix} = \omega_1 (x_1 \vec{e}_2 - y_1 \vec{e}_1) \quad (2.6)$$

² Eigentlich handelt es sich um eine Linienschar, da die Kreisfunktionen nicht eindeutig sind.

dargestellt werden. Dabei sind $\vec{e}_1^1, \vec{e}_2^1, \vec{e}_3^1$ die Basisvektoren des Koordinatensystems $O_1x_1y_1z_1$, x_1, y_1, z_1 die momentanen Koordinaten des betreffenden Punktes bezüglich desselben Koordinatensystems und ω_1 der mit dem entsprechenden Vorzeichen versehene Betrag der momentanen Winkelgeschwindigkeit der zu ermittelnden zylindrischen Oberfläche.

Sind $\vec{e}_1, \vec{e}_2, \vec{e}_3$ die Basisvektoren des Koordinatensystems $Oxyz$, so folgt aus den Gleichungen (1.2)

$$\begin{cases} \vec{e}_1^1 = \vec{e}_1 \cos \alpha + \vec{e}_3 \sin \alpha \\ \vec{e}_2^1 = \vec{e}_2 \\ \vec{e}_3^1 = -\vec{e}_1 \sin \alpha + \vec{e}_3 \cos \alpha \end{cases} .$$

Aus denselben Formeln erhält man unter Berücksichtigung von $\omega_1 = k \omega$ den Ausdruck

$$\vec{v}_1 = k \omega \left\{ -(y-L) \vec{e}_1 \cos \alpha + [x \cos \alpha + (z-t) \sin \alpha] \vec{e}_2 - (y-L) \vec{e}_3 \sin \alpha \right\} \quad (2.7)$$

für diejenige Komponente der Momentangeschwindigkeit des betrachteten Punktes, die bei laufendem Wert t der Verschiebung des Koordinatensystems $O_1x_1y_1z_1$ gegenüber dem Koordinatensystem $Oxyz$ aufgrund der Rotation der zu ermittelnden Oberfläche entsteht. Gleichung (2.7) stellt den Vektor \vec{v}_1 bezüglich der Basis $\vec{e}_1, \vec{e}_2, \vec{e}_3$ dar.

Die Momentangeschwindigkeit der Translation des Koordinatensystems $O_1x_1y_1z_1$ bezüglich der Basis $\vec{e}_1, \vec{e}_2, \vec{e}_3$

$$\text{ist } \vec{v}_0 = \frac{\omega}{2\pi} T \vec{e}_3 .$$

Unter Berücksichtigung der Vorzeichenregel für k ist die resultierende Momentangeschwindigkeit eines an die zu ermittelnde Oberfläche gebundenen und mit dem Punkt $\{x, y, z\}$ momentan übereinstimmenden Punktes

$$\vec{v} = \vec{v}_0 + \vec{v}_1 = \frac{\omega}{2\pi} T \vec{e}_3 + k \omega \left\{ (y-L) \vec{e}_1 \cos \alpha - [x \cos \alpha + (z-t) \sin \alpha] \vec{e}_2 + (y-L) \vec{e}_3 \sin \alpha \right\} .$$

Da der Wert der Winkelgeschwindigkeit offenbar keine Rolle spielt, darf im letzteren Ausdruck und im weiteren $\omega = 1$ angenommen werden. Ersetzt man jetzt x, y, z durch die entsprechenden rechten Seiten der Gleichungen (2.1), so erhält man die folgenden Ausdrücke für die Komponenten des Richtungsvektors der Momentangeschwindigkeit \vec{v} bezüglich des Koordinatensystems $Oxyz$

$$\begin{cases} k \left[\rho(\zeta) \sin \left(\zeta + \frac{2\pi}{T} \xi \right) - L \right] \cos \alpha \\ -k \left[\rho(\zeta) \cos \left(\zeta + \frac{2\pi}{T} \xi \right) \cos \alpha + (\xi - t) \sin \alpha \right] \\ k \left[\rho(\zeta) \sin \left(\zeta + \frac{2\pi}{T} \xi \right) - L \right] \sin \alpha + \frac{T}{2\pi} \end{cases} . \quad (2.8)$$

Der Vektor (2.8) muss den Richtungsvektor einer Tangente an die Schraubenfläche (2.1) im betrachteten Punkt darstellen und somit zu den Vektoren (2.2) und (2.3) komplanar sein. Mit der Abkürzung

$$\Phi = \zeta + \frac{2\pi}{T} \xi$$

erhalten wir die Gleichung

$$\begin{vmatrix} k[\rho(\zeta)\sin\Phi - L]\cos\alpha & -\frac{2\pi}{T}\rho(\zeta)\sin\Phi & -\sin\left[\Phi - \arctan\frac{\rho'(\zeta)}{\rho(\zeta)}\right] \\ -k[\rho(\zeta)\cos\Phi\cos\alpha + (\xi - t)\sin\alpha] & \frac{2\pi}{T}\rho(\zeta)\cos\Phi & \cos\left[\Phi - \arctan\frac{\rho'(\zeta)}{\rho(\zeta)}\right] \\ k[\rho(\zeta)\sin\Phi - L]\sin\alpha + \frac{T}{2\pi} & 1 & 0 \end{vmatrix} = 0. \quad (2.9)$$

Die Gleichungen (2.5) und (2.9) bilden bezüglich ζ und ξ ein Gleichungssystem, welches den Parameter t enthält. Ist das Gleichungssystem für alle reellen t lösbar, so gibt es für alle möglichen gegenseitigen Anordnungen der gegebenen Schraubenfläche und der zu ermittelnden zylindrischen Oberfläche potentielle Berührungspunkte. Somit ist eine notwendige Bedingung erfüllt, um die gewünschte Verzahnung bei der gewählten Funktion $\rho(\zeta)$ und gewählten Werten T, L, α, k synthetisieren zu können. Andernfalls ist die Verzahnung unter den erwähnten Voraussetzungen nicht möglich.

3. Überprüfung auf Durchdringungsfreiheit

Lässt sich bei einem bestimmten Wert t_0 des Parameters t ein potentieller Berührungspunkt $P_0(x_0, y_0, z_0)$ ermitteln, so entspricht diesem eine Mantellinie der zu ermittelnden zylindrischen Oberfläche. Im Folgenden soll überprüft werden, ob diese Mantellinie die Schraubenfläche (2.1) nicht schneidet.

τ sei eine dimensionslose Variable, die z.B. als Zeit interpretiert werden kann. Dementsprechend kann der oben angeführte Ausdruck für den Vektor \vec{v} als Differentialgleichungssystem

$$\begin{cases} \frac{dx}{d\tau} = \omega k(y - L)\cos\alpha \\ \frac{dy}{d\tau} = -\omega k[x\cos\alpha + (z - t_0)\sin\alpha] \\ \frac{dz}{d\tau} = \omega k(y - L)\sin\alpha + \omega\frac{T}{2\pi} \end{cases} \quad (3.1)$$

betrachtet werden. Man darf – wie bereits erwähnt – $\omega = 1$ setzen, woraus für die allgemeine Lösung von (3.1) folgt

$$\begin{cases} x = \left[(C_1 \sin k\tau - C_2 \cos k\tau) - \frac{T}{2\pi} \tau \sin\alpha \right] \cos\alpha - C_3 \sin\alpha \\ y = C_1 \cos k\tau + C_2 \sin k\tau + L - \frac{T}{2\pi} \frac{\sin\alpha}{k} \\ z = (C_1 \sin k\tau - C_2 \cos k\tau) \sin\alpha + \frac{T}{2\pi} \tau \cos^2\alpha + t_0 + C_3 \cos\alpha \end{cases} \quad (3.2)$$

Substituiert man in (3.2)

$$\begin{cases} C_1 = y_0 - L + \frac{T}{2\pi} \frac{\sin\alpha}{k} \\ C_2 = t_0 \sin\alpha - x_0 \cos\alpha - z_0 \sin\alpha, \\ C_3 = -t_0 \cos\alpha - x_0 \sin\alpha + z_0 \cos\alpha \end{cases} \quad (3.3)$$

so ergeben sich bezüglich des Koordinatensystems $Oxyz$ parametrische Gleichungen der Laufbahn des an die zu ermittelnde Oberfläche gebundenen Punktes, der bei $\tau = 0$ mit dem im Koordinatensystem $Oxyz$ fixierten Punkt P_0 übereinstimmt. Durch jeden Punkt dieser Kurve verläuft genau eine zur O_1z_1 -Achse parallele Gerade – eine potentielle Mantellinie der gesuchten zylindrischen Oberfläche. Schneidet keine dieser Geraden die Schraubenfläche (2.1), so stellt der Punkt P_0 einen zulässigen Berührungspunkt dar.

Zusätzlich zur Verschiebung des Koordinatensystems $O_1x_1y_1z_1$ gegenüber dem Koordinatensystem $Oxyz$ rotiert die zu ermittelnde zylindrische Oberfläche um die O_1z_1 -Achse. Somit ändert sich die Position dieser Oberfläche gegenüber dem verschiebbaren Koordinatensystem. Um das zu ermittelnde Profil der zylindrischen Oberfläche wieder aufbauen zu können, müssen die als Berührungspunkte akzeptierten Punkte des Profils an eine gewisse gegenseitige Anordnung der beiden Koordinatensysteme (an einen festen Wert t_{base} des Parameters t) reduziert werden. Einer Verschiebung des Koordinatensystems $O_1x_1y_1z_1$ gegenüber dem Koordinatensystem $Oxyz$ um $t_{curr} - t_{base}$ entspricht eine Umdrehung der zu ermittelnden Oberfläche um die O_1z_1 -Achse um den Winkel $k \frac{2\pi}{T} (t_{curr} - t_{base})$.

Da die zu ermittelnde Oberfläche zylindrisch ist, sind für den Wiederaufbau ihres Profils nur die Koordinaten $x_1(t), y_1(t)$ der ermittelten Punkte von Bedeutung. Sei für den Wert t_{curr} des Parameters t ein möglicher Berührungspunkt mit den Koordinaten $(x_{1curr}, y_{1curr}, z_{1curr})$ im Koordinatensystem $O_1x_1y_1z_1$ ermittelt worden. Der Abstand dieses Punktes von der O_1z_1 -Achse ist unabhängig von der Rotation $\rho_1 = \sqrt{x_{1curr}^2 + y_{1curr}^2}$. Die Ebene, die durch die O_1z_1 -Achse und den ermittelten Punkt bestimmt wird, bildet mit der $O_1x_1z_1$ -Ebene den Winkel $\zeta_{1curr} = \arctan \frac{y_{1curr}}{x_{1curr}}$. Der Winkel, den die durch die O_1z_1 -Achse und den betrachteten Punkt nach dessen Re-

duktion bestimmte Ebene mit der $O_1x_1z_1$ -Ebene bildet, ist $\zeta_{1base} = \zeta_{1curr} - k \frac{2\pi}{T} (t_{curr} - t_{base})$. Kennt man diesen Winkel sowie den Wert ρ_1 , so ist der reduzierte Punkt eindeutig bestimmt. Nach der Reduktion einer ausreichend großen Anzahl von zulässigen Punkten kann das zu ermittelnde Profil mit der gewünschten Genauigkeit wieder aufgebaut werden.

4. Ein Beispiel zur Anwendung des Verfahrens

Als Beispiel zur Anwendung des dargestellten Verfahrens wurde die Synthese der Verzahnung zweier Räder, deren Achsen einen Winkel von 15° bilden, gewählt. Die Verzahnung besteht aus einem schrägverzahnten Zahnrad mit der Zähnezahl $zz = 45$ und einem Anstieg von 75° auf dem Teilzylinder, sowie einem geradverzahnten Zahnrad mit der Zähnezahl $zz_1 = 60$. Die Steigung der Zähne des schrägverzahnten Rades berechnet sich zu $T = 45 m \pi \tan 75^\circ \approx 527,60625 m$ mit dem Modul m der Verzahnung. Der Achsabstand der Räder soll $\frac{45 + 60}{2} m = 52,5 m$ betragen, die Übersetzung ist $0,75$. Das schrägverzahnte Rad besitzt im Stirnschnitt das genormte Ausgangsprofil. Das Profil des geradverzahnten Rades wurde nach der vorgestellten Methode ermittelt.

Ein Grund dafür, zunächst diese Vorgehensweise zu betrachten, ist die (relativ) einfache und kostengünstige Herstellung des angepassten geradverzahnten Zahnrad im Vergleich zu einem schrägverzahnten.

Alle das gegebene Zahnrad betreffenden Größen wurden bei der Lösung der entsprechenden Gleichungen mittels Fourierentwicklungen berechnet, deren Koeffizienten in Dateien gespeichert wurden.

Dem Lösungsplan entsprechend wurden die notwendigen Berechnungen für 11 Werte des Parameters t durchgeführt, die im Intervall $t_0 \leq t < t_0 + \frac{T}{zz}$ mit $t_0 = 0$ gleichmäßig verteilt sind. Die Teilung des Intervalls ist

daher $\frac{T}{45 \cdot 10} \approx \frac{527,60625 m}{45 \cdot 10} \approx 1,172458 m$. Die Menge der Werte des Parameters t aus dem oben erwähnten Intervall entspricht eineindeutig der Menge aller möglichen gegenseitigen Anordnungen der gegebenen

und der zu ermittelnden Oberflächen. Als Ergebnis sind die Koordinaten von 56 potentiellen Berührungspunkten im Koordinatensystem $Oxyz$ ermittelt worden. Diese Punkte wurden gemäß Abschnitt 3 auf Durchdringungsfreiheit überprüft. Dabei wurden 29 dieser Punkte als zulässig akzeptiert. In Abbildung 2 sind verhältnismäßig die Zahn-
 lücke des gegebenen Zahnrads, zu der der Punkt №2 gehört, sowie ein Fragment der diesen Punkt erzeugenden Laufbahn des Schnittpunktes dargestellt. Die geringe Interferenz des Profils mit der Laufbahn ist auf unvermeidliche Ungenauigkeiten sowohl bei der Berechnung als auch bei der graphischen Darstellung zurückzuführen.

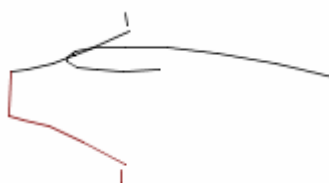


Abbildung 2

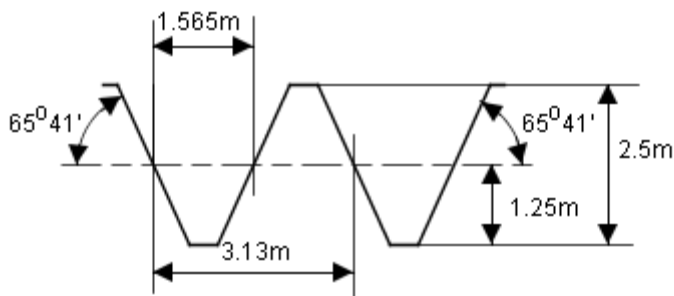


Abbildung 3

Verläuft beim entsprechenden Wert des Parameters t eine Mantellinie der zu ermittelnden zylindrischen Oberfläche durch einen der erwähnten 29 Punkte, so durchdringt diese Mantellinie die gegebene Schraubenfläche nicht. Die Schar solcher Mantellinien kann durch Hinzufügen einer weiteren Schar von entsprechend gewählten, zur O_1z_1 -Achse parallelen Geraden zur gesuchten zylindrischen Oberfläche ergänzt werden. Sowohl die Koordinaten der 29 Punkte im Koordinatensystem $Oxyz$, als auch die entsprechenden Werte der Parameter t und l sind in den Tabellen 1÷4 zusammengefasst. Jede einzelne dieser Tabellen enthält die Daten, die zu einer Zahnflanke des gegebenen Zahnrads gehören. Die überprüften Berührungspunkte sind für $t = 0$ reduziert worden. Die Ergebnisse der Reduktion sind in den Tabellen 5÷8 zusammengefasst.

| Punkt № | t/m | l/m | $\xi/m = z/m$ | x/m | y/m |
|---------|----------|-----------|---------------|-----------|-----------|
| 6 | 0,000000 | 68,121519 | 10,935702 | -1,200537 | 22,935207 |
| 11 | 1,172458 | 68,002425 | 12,035864 | -1,460952 | 23,030134 |
| 16 | 2,344917 | 67,880132 | 13,114082 | -1,715441 | 23,124567 |
| 47 | 3,517375 | 67,751795 | 14,256149 | -1,986730 | 23,220138 |
| 22 | 4,689833 | 67,621287 | 15,379666 | -2,253549 | 23,315452 |

Tabelle 1

| Punkt № | t/m | l/m | $\xi/m = z/m$ | x/m | y/m |
|---------|-----------|-----------|---------------|-----------|-----------|
| 5 | 0,000000 | 62,722311 | 11,623984 | 1,410751 | 21,985546 |
| 10 | 1,172458 | 62,639149 | 12,726116 | 1,150006 | 22,080514 |
| 15 | 2,344917 | 62,552688 | 13,818417 | 0,891732 | 22,174872 |
| 46 | 3,517375 | 62,461924 | 14,926046 | 0,629646 | 22,270062 |
| 21 | 4,689833 | 62,367946 | 16,031354 | 0,368029 | 22,365179 |
| 28 | 5,862292 | 62,270068 | 17,132038 | 0,107721 | 22,460042 |
| 34 | 7,034750 | 62,168977 | 18,230541 | -0,152141 | 22,554887 |
| 41 | 8,207208 | 62,063582 | 19,345380 | -0,416179 | 22,650294 |
| 53 | 9,379667 | 61,954889 | 20,449798 | -0,677540 | 22,745245 |
| 59 | 10,552125 | 61,842352 | 21,555824 | -0,939275 | 22,840346 |

Tabelle 2

| Punkt № | t/m | l/m | $\xi/m = z/m$ | x/m | y/m |
|---------|-----------|-----------|---------------|----------|-----------|
| 42 | 3,517375 | 72,820991 | -7,268217 | 1,719527 | 23,124856 |
| 17 | 4,689833 | 72,697489 | -6,174444 | 1,461202 | 23,030087 |
| 23 | 5,862292 | 72,577980 | -5,061668 | 1,197482 | 22,934936 |
| 29 | 7,034750 | 72,461633 | -3,953251 | 0,935171 | 22,839845 |
| 36 | 8,207208 | 72,349596 | -2,862846 | 0,677523 | 22,745250 |
| 48 | 9,379667 | 72,240902 | -1,758452 | 0,416170 | 22,650295 |
| 54 | 10,552125 | 72,135981 | -0,657855 | 0,155796 | 22,555415 |

Tabelle 3

| Punkt № | t/m | l/m | $\xi/m = z/m$ | x/m | y/m |
|---------|----------|-----------|---------------|-----------|-----------|
| 2 | 0,000000 | 78,430334 | -11,283198 | -0,104279 | 22,460615 |
| 7 | 1,172458 | 78,332570 | -10,176315 | -0,366285 | 22,365405 |
| 12 | 2,344917 | 78,238478 | -9,077504 | -0,626158 | 22,270722 |
| 43 | 3,517375 | 78,147714 | -7,970084 | -0,888205 | 22,175565 |
| 18 | 4,689833 | 78,060765 | -6,864388 | -1,149845 | 22,080487 |
| 25 | 5,862292 | 77,977632 | -5,761465 | -1,410809 | 21,985561 |
| 30 | 7,034750 | 77,898285 | -4,662415 | -1,670802 | 21,890731 |

Tabelle 4

| Punkt № | Kartesische Koordinaten | | Polarkoordinaten | |
|---------|-------------------------|------------|------------------|-------------------|
| | x_1/m | y_1/m | Winkel ζ_1 | Radius ρ_1/m |
| 6 | 1,670739 | -29,564793 | 4,768840 | 29,611963 |
| 11 | 1,709011 | -29,453585 | 4,770348 | 29,503125 |
| 16 | 1,745221 | -29,345320 | 4,771791 | 29,397170 |
| 47 | 1,779644 | -29,238390 | 4,773181 | 29,292500 |
| 22 | 1,811576 | -29,134243 | 4,774489 | 29,190510 |

Tabelle 5

| Punkt № | Kartesische Koordinaten | | Polarkoordinaten | |
|---------|-------------------------|------------|------------------|-------------------|
| | x_1/m | y_1/m | Winkel ζ_1 | Radius ρ_1/m |
| 5 | 4,371189 | -30,514454 | 4,854671 | 30,825950 |
| 10 | 4,419449 | -30,374872 | 4,856872 | 30,694696 |
| 15 | 4,465149 | -30,238248 | 4,858995 | 30,566145 |
| 46 | 4,508761 | -30,103169 | 4,861061 | 30,438950 |
| 21 | 4,549919 | -29,970579 | 4,863051 | 30,313980 |
| 28 | 4,588906 | -29,840690 | 4,864974 | 30,191469 |
| 34 | 4,625568 | -29,713303 | 4,866823 | 30,071187 |
| 41 | 4,660249 | -29,587857 | 4,868611 | 29,952616 |
| 53 | 4,692768 | -29,465413 | 4,870326 | 29,836767 |
| 59 | 4,723305 | -29,345388 | 4,871976 | 29,723079 |

Tabelle 6

| Punkt № | Kartesische Koordinaten | | Polarkoordinaten | |
|------------|-------------------------|------------|------------------|-------------------|
| | x_1/m | y_1/m | Winkel ζ_1 | Radius ρ_1/m |
| 42 | -0,207328 | -29,396161 | 4,705336 | 29,396892 |
| 17 | -0,165168 | -29,502708 | 4,706791 | 29,503170 |
| 23 | -0,121045 | -29,611981 | 4,708301 | 29,612229 |
| 29 | -0,074392 | -29,723478 | 4,709886 | 29,723572 |
| 36 | -0,025583 | -29,836751 | 4,711532 | 29,836761 |
| 48 | 0,025691 | -29,952603 | 4,713247 | 29,952615 |
| 54 | 0,079374 | -30,070569 | 4,715029 | 30,070674 |

Tabelle 7

| Punkt № | Kartesische Koordinaten | | Polarkoordinaten | |
|------------|-------------------------|------------|------------------|-------------------|
| | x_1/m | y_1/m | Winkel ζ_1 | Radius ρ_1/m |
| 2 | -3,021032 | -30,039385 | 4,612157 | 30,190914 |
| 7 | -2,975340 | -30,167406 | 4,614079 | 30,313776 |
| 12 | -2,927307 | -30,297228 | 4,616068 | 30,438317 |
| 43 | -2,876710 | -30,429810 | 4,618133 | 30,565483 |
| 18 | -2,823683 | -30,564567 | 4,620266 | 30,694722 |
| 25 | -2,768194 | -30,701391 | 4,622467 | 30,825935 |
| 30 | -2,710190 | -30,840299 | 4,624736 | 30,959154 |

Tabelle 8

Für jede der Tabellen lässt sich die Menge der enthaltenen Punkte durch einen Kreisevolventenbogen approximieren. Die Radien der Grundkreise dieser Evolventen weichen von der Größe $27,34m$ um nicht mehr als $0,01m$ ab. Die Punkte weichen maximal um $0,00016m$ von den ihnen entsprechenden Kreisevolventen ab. Diese Übereinstimmung bestätigt die Richtigkeit des dargestellten Verfahrens. Der Eingriffswinkel des zylindrischen Zahnrades ergibt sich zu $\arccos \frac{27,34}{30} \approx 24^\circ 18' 35''$ und weicht somit erheblich vom Flankenwinkel

des genormten Bezugsprofils ab. Der Radius des Wälzkreises beträgt $30m$, der des Teilkreises $29,894m$. Dies muss beim Profilieren der Wälzwerkzeuge berücksichtigt werden.

In Abbildung 3 ist das Zahnstangenprofil dargestellt, dessen Mittellinie auf dem Teilkreis des ermittelten Zahnrads abrollen muss, um das berechnete Zahnradprofil zu erzeugen. Dabei bezeichnet m den Modul des Stirnschnitts des gegebenen schrägverzahnten Zahnrads. Wie man sieht ist die Teilung der Zahnstange etwas kleiner als die Teilung des Teilkreises des Ausgangsprofils mit πm . Dies ist darauf zurückzuführen, dass der Teilkreisdurchmesser des zylindrischen Zahnrades kleiner als $60m$ ist. Ein wesentlicher Grund, dem Teilkreis gegenüber dem Wälzkreis den Vorzug zu geben ist, dass der Durchmesser des Wälzkreises vom Achsabstand der Zahnräder, der sich ändern darf, abhängt, wie es z.B. für Zahnräder mit Kreisevolventenprofil der Fall ist. Der Wälzkreisdurchmesser ist daher keine kennzeichnende Größe für ein Zahnrad. Der Teilkreisdurchmesser hingegen kann gemessen werden und ist somit kennzeichnend für ein Zahnrad.

Sowohl das zylindrische Zahnrad mit dem der Zahnstange entsprechenden Profil (Abbildung 3), als auch das schrägverzahnte Zahnrad sind angefertigt worden. In der Praxis werden die vorangegangenen Berechnungen durch den guten Eingriff der Räder bestätigt. Abbildung 4 zeigt die Verzahnung der regelmäßig ineinander greifenden Räder aus Stahl mit windschiefen Achsen.



Abbildung 4

5. Der Fall eines Kreisevolventen-Ausgangsprofils

Im Folgenden betrachten wir ein Kreisevolventenprofil, dessen Polarwinkel ζ bzw. Polarradius ρ den parametrischen Gleichungen

$$\begin{cases} \rho(\phi) = r\sqrt{1+\phi^2} \\ \zeta(\phi) = \phi - \arctg\phi + \zeta_0 \end{cases} \quad (5.1)$$

mit dem Wälzwinkel ϕ als Parameter genügen. Dabei ist r der Radius des Grundkreises und ζ_0 der dem Anfangspunkt der Kreisevolvente entsprechende Polarwinkel.

Aus den Gleichungen (5.1) folgt

$$\begin{aligned} \frac{d\rho(\phi)}{d\phi} &= \frac{r\phi}{\sqrt{1+\phi^2}}, & \frac{d\zeta(\phi)}{d\phi} &= \frac{\phi^2}{1+\phi^2}, & \frac{d\rho}{d\zeta} &= \frac{r\sqrt{1+\phi^2}}{\phi} = \frac{\rho(\phi)}{\phi}, \\ \frac{\rho(\zeta)\rho'(\zeta)}{\sqrt{[\rho(\zeta)]^2 + [\rho'(\zeta)]^2}} &= \frac{\rho(\phi)\frac{\rho(\phi)}{\phi}}{\sqrt{[\rho(\phi)]^2 + \left[\frac{\rho(\phi)}{\phi}\right]^2}} = \frac{\frac{\rho(\phi)}{\phi}\phi}{\sqrt{1+\phi^2}} = r \operatorname{sgn}\phi \end{aligned} \quad (5.2)$$

Somit gilt

$$\frac{\rho'(\zeta)}{\rho(\zeta)} \equiv \frac{1}{\phi}, \quad \frac{2\pi}{T} \frac{\rho(\zeta)\rho'(\zeta)}{\sqrt{[\rho(\zeta)]^2 + [\rho'(\zeta)]^2}} \cot\alpha \equiv \frac{2\pi}{T} r \cot\alpha \operatorname{sgn}\phi$$

und

$$\arctan \frac{\rho'(\zeta)}{\rho(\zeta)} - \zeta \equiv \arctan \frac{1}{\phi} - \zeta \equiv \frac{\pi}{2} - \arctan\phi - (\phi - \arctan\phi + \zeta_0) \equiv \frac{\pi}{2} - \phi - \zeta_0.$$

Ist $\phi > 0$, wird der Grundkreis entgegen dem Uhrzeigersinn abgewickelt und man erhält aus (2.5)

$$\xi = \frac{T}{2\pi} \left[\frac{\pi}{2} - \phi - \zeta_0 + \arccos\left(\frac{2\pi}{T} r \cot\alpha\right) \right]. \quad (5.3)$$

Hieraus folgt

$$\begin{aligned}
 \zeta + \frac{2\pi}{T}\xi &= \phi - \arctan\phi + \zeta_0 + \frac{\pi}{2} - \phi - \zeta_0 + \arccos\left(\frac{2\pi}{T}r\cot\alpha\right) = \\
 &= \arccos\left(\frac{2\pi}{T}r\cot\alpha\right) + \operatorname{arccot}\phi, \\
 \rho(\zeta)\cos\left(\zeta + \frac{2\pi}{T}\xi\right) &= r\frac{\sqrt{1+\phi^2}}{\sqrt{1+\phi^2}} \times \\
 \left[\frac{2\pi}{T}r\phi\cot\alpha - \sqrt{1 - \left(\frac{2\pi}{T}r\cot\alpha\right)^2} \operatorname{sgn}\arccos\left(\frac{2\pi}{T}r\cot\alpha\right)\right] &= \tag{5.4a} \\
 = r\left[\frac{2\pi}{T}r\phi\cot\alpha - \sqrt{1 - \left(\frac{2\pi}{T}r\cot\alpha\right)^2} \operatorname{sgn}\arccos\left(\frac{2\pi}{T}r\cot\alpha\right)\right],
 \end{aligned}$$

$$\begin{aligned}
 \rho(\zeta)\sin\left(\zeta + \frac{2\pi}{T}\xi\right) &= r\frac{\sqrt{1+\phi^2}}{\sqrt{1+\phi^2}} \times \\
 \left[\frac{2\pi}{T}r\cot\alpha + \sqrt{1 - \left(\frac{2\pi}{T}r\cot\alpha\right)^2} \phi \operatorname{sgn}\arccos\left(\frac{2\pi}{T}r\cot\alpha\right)\right] &= \tag{5.4b} \\
 = r\left[\frac{2\pi}{T}r\cot\alpha + \sqrt{1 - \left(\frac{2\pi}{T}r\cot\alpha\right)^2} \phi \operatorname{sgn}\arccos\left(\frac{2\pi}{T}r\cot\alpha\right)\right].
 \end{aligned}$$

Ersetzt man die rechten Seiten der Gleichungen (2.1) durch die entsprechenden Ausdrücke (5.3), (5.4a) und (5.4b), so erhält man die Gleichungen (5.5) im Koordinatensystem $Oxyz$ für den geometrischen Ort der potentiellen Berührungspunkte der die Verzahnung bildenden Oberflächen:

$$\begin{cases}
 x(\phi) = r\left[\frac{2\pi}{T}r\phi\cot\alpha - \sqrt{1 - \left(\frac{2\pi}{T}r\cot\alpha\right)^2} \operatorname{sgn}\arccos\left(\frac{2\pi}{T}r\cot\alpha\right)\right] \\
 y(\phi) = r\left[\frac{2\pi}{T}r\cot\alpha + \sqrt{1 - \left(\frac{2\pi}{T}r\cot\alpha\right)^2} \phi \operatorname{sgn}\arccos\left(\frac{2\pi}{T}r\cot\alpha\right)\right] \\
 z(\phi) = \frac{T}{2\pi}\left[\frac{\pi}{2} - \phi - \zeta_0 + \arccos\left(\frac{2\pi}{T}r\cot\alpha\right)\right]
 \end{cases} \tag{5.5}$$

Der Parameter ϕ kommt in diesen Gleichungen nur in der ersten Potenz vor. Da der Ausdruck für z die frei wählbare Größe ζ_0 enthält, ist der geometrische Ort der potentiellen Berührungspunkte eine Geradenschar.

Weiterhin gilt

$$\zeta + \frac{2\pi}{T}\xi - \arctan\frac{\rho'(\zeta)}{\rho(\zeta)} = \arccos\left(\frac{2\pi}{T}r\cot\alpha\right)$$

und somit

$$\cos\left[\zeta + \frac{2\pi}{T}\xi - \arctan\frac{\rho'(\zeta)}{\rho(\zeta)}\right] = \frac{2\pi}{T}r\cot\alpha$$

und

$$\sin \left[\zeta + \frac{2\pi}{T} \xi - \arctan \frac{\rho'(\zeta)}{\rho(\zeta)} \right] = \sqrt{1 - \left(\frac{2\pi}{T} r \cot \alpha \right)^2} \operatorname{sgn} \arccos \left(\frac{2\pi}{T} r \cot \alpha \right).$$

Mit den Gleichungen (5.1) bis (5.5) kann die im Abschnitt 2 erwähnte, für die Ermittlung von ζ abgeleitete Gleichung durch eine andere ersetzt werden, die den Wälzwinkel ϕ mit dem Parameter t verknüpft, wobei beide Veränderlichen nur explizit auftreten. Ferner merken wir uns, dass diese Gleichung durch $k\omega$ gekürzt werden kann.

Wir ermitteln zunächst den expliziten Ausdruck für den zum ersten Element der dritten Zeile der Determinante (2.9) gehörenden Minor. Es ergibt sich

$$\Delta_{31} = -\frac{2\pi}{T} \rho(\zeta) \sin \left[\arctan \frac{\rho'(\zeta)}{\rho(\zeta)} \right] = -\frac{2\pi}{T} \rho(\zeta) \sin \left(\arctan \frac{1}{\phi} \right) = -\frac{2\pi}{T} r \frac{\sqrt{1+\phi^2}}{\sqrt{1+\phi^2}} = -\frac{2\pi r}{T}.$$

Das Produkt des ersten Elements der dritten Zeile der Determinante (2.9) und des oben ermittelten Minors ist

$$\left\{ L - r \left[\frac{2\pi}{T} r \cot \alpha + \sqrt{1 - \left(\frac{2\pi}{T} r \cot \alpha \right)^2} \phi \operatorname{sgn} \arccos \left(\frac{2\pi}{T} r \cot \alpha \right) \right] \right\} \frac{2\pi r}{T} \sin \alpha - \frac{r}{k}.$$

Multipliziert man das erste Element der ersten Zeile derselben Determinante mit dem zugehörigen Minor, so erhält man

$$\left\{ L - r \left[\frac{2\pi}{T} r \cot \alpha + \sqrt{1 - \left(\frac{2\pi}{T} r \cot \alpha \right)^2} \phi \operatorname{sgn} \arccos \left(\frac{2\pi}{T} r \cot \alpha \right) \right] \right\} \frac{2\pi}{T} r \cos \alpha \cot \alpha,$$

multipliziert man aber das erste Element der zweiten Zeile mit dem zugehörigen Minor, so ist das Produkt

$$\left\{ \frac{4\pi^2 r^2 \cos^2 \alpha - T^2 \sin^2 \alpha}{2\pi T \sin \alpha} \phi + \frac{T}{2\pi} \left[\frac{\pi}{2} - \zeta_0 + \arccos \left(\frac{2\pi}{T} r \cot \alpha \right) \right] \sin \alpha - t \sin \alpha \right\} \times \\ \sqrt{1 - \left(\frac{2\pi}{T} r \cot \alpha \right)^2} \operatorname{sgn} \arccos \left(\frac{2\pi}{T} r \cot \alpha \right) - \left[1 - \left(\frac{2\pi}{T} r \cot \alpha \right)^2 \right] r \cos \alpha.$$

Die ϕ und t verknüpfende Gleichung ist

$$\frac{4\pi^2 r^2 + T^2}{2\pi T} \phi + t + \frac{T}{2\pi} \zeta_0 - \frac{T}{2\pi} \left[\frac{\pi}{2} + \arccos \left(\frac{2\pi}{T} r \cot \alpha \right) \right] - \\ \frac{\frac{2\pi r L}{T \sin \alpha} - \frac{4\pi^2 r^2 + T^2}{T^2} r \cos \alpha - \frac{r}{k}}{\sqrt{1 - \left(\frac{2\pi}{T} r \cot \alpha \right)^2} \sin \alpha \operatorname{sgn} \arccos \left(\frac{2\pi}{T} r \cot \alpha \right)} = 0. \quad (5.6)$$

Aus dieser Gleichung, die eine implizite lineare Funktion der beiden Veränderlichen ϕ und t darstellt, folgt

$$\phi = -\frac{2\pi T}{4\pi^2 r^2 + T^2} t + \frac{T^2}{4\pi^2 r^2 + T^2} \left[\frac{\pi}{2} - \zeta_0 + \arccos \left(\frac{2\pi}{T} r \cot \alpha \right) \right] + \frac{2\pi T}{4\pi^2 r^2 + T^2} \frac{\frac{2\pi r L}{T \sin \alpha} - \frac{4\pi^2 r^2 + T^2}{T^2} r \cos \alpha - \frac{r}{k}}{\sqrt{1 - \left(\frac{2\pi}{T} r \cot \alpha \right)^2}} \sin \alpha \operatorname{sgn} \arccos \left(\frac{2\pi}{T} r \cot \alpha \right) \quad (5.7)$$

Ersetzt man in den Ausdrücken (5.5) ϕ durch den rechten Teil der Gleichung (5.7), so entstehen Formeln, die die Koordinaten x, y, z eines dem Wert t des Parameters entsprechenden potentiellen Berührungspunkts unmittelbar durch t ausdrücken. Verwenden wir jetzt die Gleichungen (1.2), so erhalten wir die Koordinaten x_1, y_1, z_1 desselben Punktes. Die ermittelten Punkte können dann an einen beliebig wählbaren festen Wert des Parameters t reduziert werden.

Somit ist im Fall eines Ausgangsprofils mit Evolventenform das Problem der Ermittlung des Gegenprofils explizit lösbar. Man muss aber beachten, dass es sich bei dem soeben angeführten Verfahren nur um ein paar miteinander konjugierter Zahnflanken handelt und dass bei dessen Verwendung die wichtigen Vorteile der Anwendung von Fourientwicklungen verlorengehen.

Anmerkung:

Auch im allgemeinen Fall kann man die Ermittlung der Wurzeln der transzendenten Gleichung vermeiden, indem man nicht den Wert des Parameters ζ durch t ausdrückt, sondern t durch ζ , da t nur in der ersten Potenz in der Gleichung auftritt. Mit Computerunterstützung lohnt es sich allerdings kaum, denn das eigentliche Problem besteht in der Ermittlung des Wertes des Winkels ζ für jeden Wert des Parameters t , nicht umgekehrt.

6. Von einer zylindrischen Oberfläche zur konjugierten Schraubenfläche

Im nächsten Schritt soll der zweite Fall des am Anfang formulierten Problems betrachtet werden. Wir gehen jetzt von einer gegebenen zylindrischen Oberfläche aus und wollen eine Schraubenfläche ermitteln, die mit der gegebenen Oberfläche eine regelmäßige Verzahnung bildet. Dabei gelten weiterhin alle im Abschnitt 1 getroffenen Annahmen.

Seien

$$\begin{cases} x_1 = \rho(\zeta) \cos(\zeta + \xi) \\ y_1 = \rho(\zeta) \sin(\zeta + \xi) \end{cases} \quad (6.1)$$

die Gleichungen der Oberflächenschar, die die gegebene Oberfläche in ihrer Bewegung bezüglich des Koordinatensystems $O_1x_1y_1z_1$ bildet, wobei jedem Wert des Winkels ζ eine Oberfläche der Oberflächenschar entspricht. Die beiden Winkel ζ und ξ sollen entgegen dem Uhrzeigersinn (von Zielpunkt des Vektors $\overline{O_1z_1}$ aus betrachtet) gemessen werden. Unter dieser Annahme ist ξ der Winkel der Drehung der zylindrischen Oberfläche um die O_1z_1 -Achse und folglich muss immer

$$\xi = -2\pi k \frac{t}{T} \quad (6.2)$$

gelten, denn die Drehung der zylindrischen Oberfläche um die O_1z_1 -Achse ist der Verschiebung des Koordinatensystems $O_1x_1y_1z_1$ bezüglich des Koordinatensystems $Oxyz$ direkt proportional. Unter Berücksichtigung von (6.2) können die Gleichungen (6.1) als

$$\begin{cases} x_1 = \rho(\zeta) \cos\left(\zeta - \frac{2\pi k}{T} t\right) \\ y_1 = \rho(\zeta) \sin\left(\zeta - \frac{2\pi k}{T} t\right) \end{cases} \quad (6.3)$$

umgeschrieben werden.

Auch in diesem Fall wollen wir für einen beliebigen, frei wählbaren Wert des Parameters t zunächst einen an die verschiebbliche Oberfläche gebundenen Punkt ermitteln, dessen Momentangeschwindigkeit bezüglich des feststehenden Koordinatensystems die an letzteres gebundene Oberfläche bei gewähltem Wert t im Punkt, der mit dem zu ermittelnden zusammenfällt, berührt. Wir wollen die Koordinaten des uns interessierenden Punktes im verschiebblichen Koordinatensystem für den betreffenden Wert t ermitteln. Da die Gleichungen der an das unbewegliche Koordinatensystem gebundenen Oberfläche im betrachteten Fall unbekannt sind, gehen wir bei der Bestimmung einer Tangentialebene von der verschiebbaren Oberfläche aus, deren Gleichungen im verschiebblichen Koordinatensystem bei jedem Wert t bekannt sind. Dies ist dadurch gerechtfertigt, dass zwei sich in einem beliebigen Punkt berührende Oberflächen eine gemeinsame Tangentialebene in diesem Punkt besitzen.

Des weiteren benötigen wir auch in diesem Fall zwei linear unabhängige Vektoren, die die Tangentialebene an die Oberfläche (6.3) zu einem festen Punkt bei einem festen Wert des Parameters t bestimmen. Dazu bilden wir die Ausdrücke (6.4) für die partiellen Ableitungen nach ζ und z_1 .

$$\begin{cases} \frac{\partial x_1}{\partial \zeta} = \sqrt{[\rho(\zeta)]^2 + [\rho'(\zeta)]^2} \sin\left[\arctan\frac{\rho'(\zeta)}{\rho(\zeta)} - \zeta + \frac{2\pi k}{T} t\right] \\ \frac{\partial y_1}{\partial \zeta} = \sqrt{[\rho(\zeta)]^2 + [\rho'(\zeta)]^2} \cos\left[\arctan\frac{\rho'(\zeta)}{\rho(\zeta)} - \zeta + \frac{2\pi k}{T} t\right] \\ \frac{\partial z_1}{\partial \zeta} = 0 \end{cases} \quad \begin{cases} \frac{\partial x_1}{\partial z_1} = 0 \\ \frac{\partial y_1}{\partial z_1} = 0 \\ \frac{\partial z_1}{\partial z_1} = 1 \end{cases} \quad (6.4)$$

Als linear unabhängige Vektoren können daher die Vektoren (6.5) und (6.6) dienen:

$$\begin{cases} \sin\left[\arctan\frac{\rho'(\zeta)}{\rho(\zeta)} - \zeta + \frac{2\pi k}{T} t\right] \\ \cos\left[\arctan\frac{\rho'(\zeta)}{\rho(\zeta)} - \zeta + \frac{2\pi k}{T} t\right] \\ 0 \end{cases} \quad (6.5)$$

$$\begin{cases} 0 \\ 0 \\ 1 \end{cases} \quad (6.6)$$

Ersetzt man in (2.6) x_1 und y_1 durch die entsprechenden Ausdrücke (6.3), so entsteht ein Ausdruck für die relative Komponente der Momentangeschwindigkeit eines an die Oberfläche (6.3) gebundenen Punktes bezüglich des Koordinatensystems $O_1x_1y_1z_1$, d.h. für jene Komponente, die durch die Rotation der Oberfläche (6.3) um die O_1z_1 -Achse erzeugt wird.

Die durch die Translation des Koordinatensystems $O_1x_1y_1z_1$ bezüglich des Koordinatensystems $Oxyz$ erzeugte Komponente der Momentangeschwindigkeit ist von der Wahl des Punktes der Oberfläche (6.3) unabhängig.

Bezüglich des Koordinatensystems $O_1x_1y_1z_1$ kann diese Komponente als $\left\{ \frac{T}{2\pi} \sin \alpha, 0, \frac{T}{2\pi} \cos \alpha \right\}$ dargestellt werden. Somit ist die Momentangeschwindigkeit eines an die Oberfläche (6.3) gebundenen Punktes

$$\begin{cases} \frac{T}{2\pi} \sin \alpha + k y_1 \\ -k x_1 \\ \frac{T}{2\pi} \cos \alpha \end{cases} = \begin{cases} \frac{T}{2\pi} \sin \alpha + k \rho(\zeta) \sin \left(\zeta - \frac{2\pi k}{T} t \right) \\ -k \rho(\zeta) \cos \left(\zeta - \frac{2\pi k}{T} t \right) \\ \frac{T}{2\pi} \cos \alpha \end{cases} \quad (6.7)$$

Die Bedingung der Komplanarität der Vektoren (6.5), (6.6) und (6.7) kann analytisch als

$$\begin{vmatrix} \frac{T}{2\pi} \sin \alpha + k \rho(\zeta) \sin \left(\zeta - \frac{2\pi k}{T} t \right) & \sin \left[\arctan \frac{\rho'(\zeta)}{\rho(\zeta)} - \zeta + \frac{2\pi k}{T} t \right] & 0 \\ -k \rho(\zeta) \cos \left(\zeta - \frac{2\pi k}{T} t \right) & \cos \left[\arctan \frac{\rho'(\zeta)}{\rho(\zeta)} - \zeta + \frac{2\pi k}{T} t \right] & 0 \\ \frac{T}{2\pi} \cos \alpha & 0 & 1 \end{vmatrix} = 0$$

oder

$$\frac{\rho(\zeta) \rho'(\zeta)}{\sqrt{[\rho(\zeta)]^2 + [\rho'(\zeta)]^2}} + \frac{T}{2\pi k} \cos \left[\arctan \frac{\rho'(\zeta)}{\rho(\zeta)} - \zeta + \frac{2\pi k}{T} t \right] \sin \alpha = 0 \quad (6.8)$$

ausgedrückt werden.

Ermittelt man aus (6.8) bei einem beliebigen Wert des Parameters t einen entsprechenden Wert des Winkels ζ , so erhält man eine der Mantellinien der Oberfläche (6.3), die bei diesem Wert t die potentiellen Berührungspunkte der gegebenen und der zu ermittelnden Oberfläche enthält. Dass es sich um Mantellinien handelt, folgt daraus, dass alle Punkte einer Mantellinie dieselbe Momentangeschwindigkeit haben, während die Momentangeschwindigkeiten der Punkte verschiedener Mantellinien verschieden sind.

Sei bei einem beliebigen Wert t_0 des Parameters t der Wert ζ_0 des Parameters ζ mit Hilfe von Gleichung (6.8) ermittelt worden. Dann sind im Koordinatensystem $O_1x_1y_1z_1$ die Gleichungen der betreffenden Mantellinie

$$\begin{cases} x_1 = \rho(\zeta_0) \cos \left(\zeta_0 - \frac{2\pi k}{T} t_0 \right) \\ y_1 = \rho(\zeta_0) \sin \left(\zeta_0 - \frac{2\pi k}{T} t_0 \right) \end{cases} \quad (6.9)$$

Die Gleichungen derselben Mantellinie im Koordinatensystem $Oxyz$ sind

$$\begin{cases} x = \rho(\zeta_0) \cos \left(\zeta_0 - \frac{2\pi k}{T} t_0 \right) \cos \alpha - z_1 \sin \alpha \\ y = \rho(\zeta_0) \sin \left(\zeta_0 - \frac{2\pi k}{T} t_0 \right) + L \\ z = \rho(\zeta_0) \cos \left(\zeta_0 - \frac{2\pi k}{T} t_0 \right) \sin \alpha + z_1 \cos \alpha + t_0 \end{cases} \quad (6.10)$$

Auf dieser Mantellinie soll ein potentieller Berührungspunkt ermittelt werden. Es handelt sich dabei um die Ermittlung eines Wertes z_{10} des Parameters z_1 , für den der Punkt

$$\left\{ x(\zeta_0, z_{10}, t_0), y(\zeta_0, t_0), z(\zeta_0, z_{10}, t_0) \right\} \quad (6.11)$$

der folgenden Voraussetzung genügt: Der Richtungsvektor der Tangente an die durch den Punkt (6.11) verlaufende Schraubenlinie mit Rechtssteigung, deren Achse Oz und deren Steigung T ist, ist in diesem Punkt den Vektoren (6.5) und (6.6) komplanar.

Jetzt sollen die Komponenten des oben erwähnten Vektors ermittelt werden. Die Gleichungen der Schraubenlinie im Koordinatensystem $Oxyz$ sind

$$\begin{cases} x = r_0 \cos(\gamma + \gamma_0) \\ y = r_0 \sin(\gamma + \gamma_0) \\ z = z(\zeta_0, z_{10}, t_0) + \frac{\gamma}{2\pi} T \end{cases}, \quad (6.12)$$

wobei γ ein veränderlicher Parameter ist und die Gleichungen $r_0 = \sqrt{[x(\zeta_0, z_{10}, t_0)]^2 + [y(\zeta_0, t_0)]^2}$ und

$$\gamma_0 = \arctan \frac{y(\zeta_0, t_0)}{x(\zeta_0, z_{10}, t_0)}$$
 gelten.

Die Komponenten des Richtungsvektors $\vec{\tau}$ der Tangente bezüglich des Koordinatensystems $Oxyz$ sind

$$\begin{cases} \tau_x = \left. \frac{dx}{d\gamma} \right|_{\gamma=0} = -r_0 \sin \gamma_0 \\ \tau_y = \left. \frac{dy}{d\gamma} \right|_{\gamma=0} = r_0 \cos \gamma_0 \\ \tau_z = \left. \frac{dz}{d\gamma} \right|_{\gamma=0} = \frac{T}{2\pi} \end{cases}. \quad (6.13)$$

Aus den Gleichungen (1.1) folgt

$$\begin{aligned} \vec{\tau} &= \tau_x \vec{e}_1 + \tau_y \vec{e}_2 + \tau_z \vec{e}_3 = \\ &= (\vec{e}_1^1 \cos \alpha - \vec{e}_3^1 \sin \alpha) \tau_x + \vec{e}_2^1 \tau_y + (\vec{e}_1^1 \sin \alpha + \vec{e}_3^1 \cos \alpha) \tau_z = \\ &= (\tau_x \cos \alpha + \tau_z \sin \alpha) \vec{e}_1^1 + \tau_y \vec{e}_2^1 + (\tau_z \cos \alpha - \tau_x \sin \alpha) \vec{e}_3^1 \end{aligned}$$

mit den Einheitsvektoren gemäß Abschnitt 2.

Zusammen mit den Gleichungen (6.13) ergeben sich die folgenden Ausdrücke für die Komponenten des Richtungsvektors der Tangente an die Schraubenlinie bezüglich des Koordinatensystems $O_1x_1y_1z_1$

$$\begin{cases} \tau_{x_1} = \frac{T}{2\pi} \sin \alpha - r_0 \sin \gamma_0 \cos \alpha \\ \tau_{y_1} = r_0 \cos \gamma_0 \\ \tau_{z_1} = \frac{T}{2\pi} \cos \alpha + r_0 \sin \gamma_0 \sin \alpha \end{cases}. \quad (6.14)$$

Man sieht, dass die Gleichungen

$$r_0 \sin \gamma_0 = y(\zeta_0, z_0, t_0) = \rho(\zeta_0) \sin\left(\zeta_0 - \frac{2\pi k}{T} t_0\right) + L \quad (6.15)$$

und

$$r_0 \cos \gamma_0 = x(\zeta_0, z_0, t_0) = \rho(\zeta_0) \cos\left(\zeta_0 - \frac{2\pi k}{T} t_0\right) \cos \alpha - z_0 \sin \alpha \quad (6.16)$$

gelten.

Sind die Vektoren (6.5), (6.6) und (6.14) komplanar, so muss die Gleichung

$$\begin{vmatrix} \frac{T}{2\pi} \sin \alpha - \left[\rho(\zeta_0) \sin\left(\zeta_0 - \frac{2\pi k}{T} t_0\right) + L \right] \cos \alpha & \sin \left[\arctan \frac{\rho'(\zeta_0)}{\rho(\zeta_0)} - \zeta_0 + \frac{2\pi k}{T} t_0 \right] & 0 \\ \rho(\zeta_0) \cos\left(\zeta_0 - \frac{2\pi k}{T} t_0\right) \cos \alpha - z_0 \sin \alpha & \cos \left[\arctan \frac{\rho'(\zeta_0)}{\rho(\zeta_0)} - \zeta_0 + \frac{2\pi k}{T} t_0 \right] & 0 \\ \frac{T}{2\pi} \cos \alpha - \left[\rho(\zeta_0) \sin\left(\zeta_0 - \frac{2\pi k}{T} t_0\right) + L \right] \sin \alpha & 0 & 1 \end{vmatrix} = 0 \quad (6.17)$$

gelten, woraus z_0 und somit ein potentieller Berührungspunkt für den Wert t_0 des Parametes t ermittelt werden kann:

$$z_0 = \frac{\frac{\rho(\zeta_0) \rho'(\zeta_0)}{\sqrt{[\rho(\zeta_0)]^2 + [\rho'(\zeta_0)]^2}} \cos \alpha - \left(\frac{T}{2\pi} \sin \alpha - L \cos \alpha \right) \cos \left[\arctan \frac{\rho'(\zeta_0)}{\rho(\zeta_0)} - \zeta_0 + \frac{2\pi k}{T} t_0 \right]}{\sin \left[\arctan \frac{\rho'(\zeta_0)}{\rho(\zeta_0)} - \zeta_0 + \frac{2\pi k}{T} t_0 \right] \sin \alpha} \quad (6.18)$$

Dem ermittelten Wert z_0 entspricht eine Schraubenlinie mit Gleichungen (6.12) im Koordinatensystem $Oxyz$. Im Koordinatensystem $O_1x_1y_1z_1$ sind diese

$$\begin{cases} x_1(\gamma) = r_0 \cos(\gamma + \gamma_0) \cos \alpha + \left[z(\zeta_0, z_0, t_0) + \frac{T}{2\pi} \gamma - t \right] \sin \alpha \\ y_1(\gamma) = r_0 \sin(\gamma + \gamma_0) - L \\ z_1(\gamma) = -r_0 \cos(\gamma + \gamma_0) \sin \alpha + \left[z(\zeta_0, z_0, t_0) + \frac{T}{2\pi} \gamma - t \right] \cos \alpha \end{cases} \quad (6.19)$$

Dabei ist γ eine unabhängige Veränderliche, r_0 und γ_0 müssen durch die oben angeführten Ausdrücke ersetzt werden, t bezeichnet die frei wählbare Verschiebung des Systems $O_1x_1y_1z_1$ bezüglich des Systems $Oxyz$.

Ermittelt man bei einem beliebigen Wert der Veränderlichen z_1 aus der dritten Gleichung von (6.19) einen entsprechenden Wert des Parameters γ , so lassen sich aus den beiden ersten Gleichungen die Koordinaten $x_1(\gamma)$ und $y_1(\gamma)$ bestimmen. Liegt jetzt bei einem frei wählbaren Wert t der Punkt $P(x_1(\gamma), y_1(\gamma))$ innerhalb der von Linie (6.3) eingeschränkten Fläche, so schneidet die Schraubenlinie (6.19) die gegebene zylindrische Oberfläche und der ermittelte Berührungspunkt ist ungültig. Ist dies für keine der in ausreichender Zahl geprüften Kombinationen der Werte t und z_1 der Fall, so erfüllt der ermittelte Berührungspunkt die Gültigkeitsbedingungen.

Mit einer ausreichenden Anzahl gültiger Berührungspunkte kann ein Stirnschnitt (bzw. ein axialer Schnitt) der gesuchten Schraubenfläche wiederaufgebaut werden. Dazu müssen die ermittelten Punkte auf eine Ebene

$z = \tilde{z} = \text{const}$ (bzw. $y = cx$ bei konstantem c) reduziert werden. Für eine Schraubenlinie (6.12) sind die Koordinaten des reduzierten Punktes

$$\begin{cases} \tilde{x} = r_0 \cos \left\{ \frac{2\pi}{T} \left[\tilde{z} - z(\zeta_0, z_{10}, t_0) \right] + \gamma_0 \right\} \\ \tilde{y} = r_0 \sin \left\{ \frac{2\pi}{T} \left[\tilde{z} - z(\zeta_0, z_{10}, t_0) \right] + \gamma_0 \right\} \end{cases} \quad (6.20)$$

Die Größen r_0 und γ_0 behalten ihre früheren Bedeutungen.

Ersetzt man in (6.8) die Terme $\frac{\rho(\zeta)\rho'(\zeta)}{\sqrt{[\rho(\zeta)]^2 + [\rho'(\zeta)]^2}}$ und $\arctan \frac{\rho'(\zeta)}{\rho(\zeta)} - \zeta$ durch die entsprechenden,

im Abschnitt 5 gewonnenen Ausdrücke, so kommt man für den Fall eines Kreisevolventen-Ausgangsprofils zu einer expliziten Lösung des Problems. Allerdings sei darauf hingewiesen, dass dabei die Vorteile der Verwendung von Fourierentwicklungen verloren gehen.

7. Ein weiteres Beispiel zur Anwendung des Verfahrens

Als Beispiel für die Anwendung des im letzten Abschnitt entwickelten Verfahrens wählen wir die Synthese einer Verzahnung, deren Achsabstand und Winkel, den die Achsen der Räder miteinander bilden, denen des Beispiels aus Abschnitt 4 entsprechen. Wir gehen dabei von einem geradverzahnten Zahnrad mit dem in Abschnitt 4 ermittelten Profil aus. Zu ermitteln ist nun das Profil des Stirnschnitts eines schrägverzahnten Rades mit Zähnezahl 45 und Steigung $527,60625 m$, wobei m der Modul des geradverzahnten Zahnrad ist. Als Ergebnis ist dabei dasselbe Profil zu erwarten, welches im Beispiel des Abschnitts 4 als Ausgangsprofil zur Anwendung kam.

Die Geometrie des im Abschnitt 4 ermittelten und als Ausgangsprofil verwendeten geradverzahnten Zahnrad wurde mittels Fourierentwicklungen errechnet, vgl. [1]. Es wurden der Polarwinkel und der Polarradius als Funktionen der Länge des von der Mittellinie einer Zahnflanke aus gemessenen Bogens des Profils dargestellt. Auch in diesem Fall wurden die Fourierkoeffizienten sowohl dieser beiden Funktionen, als auch zweier Hilfsfunktionen in vier Dateien gespeichert.

Als Ergebnis der entsprechenden Berechnungen sind insgesamt 27 potentielle Berührungspunkte ermittelt worden, von denen 25 die im vorherigen Abschnitt beschriebenen Überprüfungen bestanden haben. Sowohl die Koordinaten dieser 25 Punkte im Koordinatensystem $O_1x_1y_1z_1$, als auch die entsprechenden Werte der Parameter t und l sind in den Tabellen 9 ÷ 12 zusammengefasst. Jede einzelne dieser Tabellen enthält die Daten der Berührungspunkte, die zu einer Zahnflanke des gegebenen Zahnrad gehören. Entsprechend sind die Ergebnisse der Reduktion derselben Punkte in Tabellen 13 ÷ 16 zusammengefasst, von denen jede sowohl die kartesischen, als auch die Polarkoordinaten der Punkte jeweils einer Zahnflanke des ermittelten Profils enthält. Die Mengen der Punkte aus den 4 Tabellen wurden durch jeweils einen Kreisevolventenbogen angenähert. Als Ergebnis erhält man den durchschnittlichen Radius des Grundkreises zu $\approx 21,146 m$, der Radius des Teilkreises ist $\approx 22,503 m$.

| Punkt № | t/m | l/m | x_1/m | y_1/m | z_1/m |
|---------|----------|------------|----------|------------|-----------|
| 1 | 0,000000 | 278,014512 | 2,344734 | -29,801822 | 10,855176 |
| 4 | 1,172458 | 278,140059 | 2,074796 | -29,706817 | 10,858405 |
| 6 | 2,344917 | 278,262559 | 1,804784 | -29,611148 | 10,858840 |
| 8 | 3,517375 | 278,381113 | 1,534478 | -29,517172 | 10,855727 |
| 12 | 4,689833 | 278,497598 | 1,264498 | -29,421953 | 10,857620 |
| 16 | 5,862290 | 278,610527 | 0,994326 | -29,326664 | 10,856450 |

Tabelle 9

| Punkt № | t/m | l/m | x_1/m | y_1/m | z_1/m |
|---------|----------|------------|-----------|------------|------------|
| 2 | 0,000000 | 268,954395 | -2,344734 | -29,801844 | -10,855040 |
| 3 | 1,172458 | 269,082520 | -2,614848 | -29,897414 | -10,854894 |
| 5 | 2,344917 | 269,213223 | -2,885024 | -29,991004 | -10,857383 |
| 7 | 3,517375 | 269,347441 | -3,155199 | -30,086777 | -10,855703 |
| 11 | 4,689833 | 269,485137 | -3,425039 | -30,181790 | -10,852779 |
| 15 | 5,862290 | 269,624473 | -3,695342 | -30,275633 | -10,856790 |
| 18 | 7,034748 | 269,768262 | -3,965217 | -30,370795 | -10,853788 |
| 21 | 8,207208 | 269,915059 | -4,235287 | -30,468194 | -10,849766 |

Tabelle 10

| Punkt № | t/m | l/m | x_1/m | y_1/m | z_1/m |
|---------|-----------|------------|----------|------------|-----------|
| 10 | 3,517375 | 283,133223 | 4,235983 | -30,466502 | 10,859503 |
| 14 | 4,689833 | 283,280020 | 3,965936 | -30,369800 | 10,865633 |
| 17 | 5,862292 | 283,422363 | 3,695495 | -30,275080 | 10,861476 |
| 20 | 7,034748 | 283,562598 | 3,425551 | -30,180617 | 10,860565 |
| 23 | 8,207208 | 283,698926 | 3,155763 | -30,086486 | 10,857979 |
| 25 | 9,379667 | 283,832637 | 2,884933 | -29,991831 | 10,854140 |
| 27 | 10,552125 | 283,964277 | 2,615003 | -29,896648 | 10,858473 |

Tabelle 11

| Punkt № | t/m | l/m | x_1/m | y_1/m | z_1/m |
|---------|-----------|------------|-----------|------------|------------|
| 19 | 7,034748 | 274,548731 | -1,264504 | -29,422001 | -10,858104 |
| 22 | 8,207208 | 274,665645 | -1,534382 | -29,517691 | -10,853952 |
| 24 | 9,379667 | 274,784238 | -1,804592 | -29,611500 | -10,855710 |
| 26 | 10,552125 | 274,906738 | -2,074636 | -29,707583 | -10,854408 |

Tabelle 12

| Punkt № | Kartesische Koordinaten | | Polarkoordinaten | |
|---------|-------------------------|-----------|------------------|-----------------|
| | x/m | y/m | Winkel ζ | Radius ρ/m |
| 1 | 2,449659 | 22,572176 | 1,462694 | 22,704712 |
| 4 | 2,501594 | 22,669832 | 1,460892 | 22,807439 |
| 6 | 2,556579 | 22,770647 | 1,458989 | 22,913717 |
| 8 | 2,614069 | 22,872237 | 1,457000 | 23,021133 |
| 12 | 2,675309 | 22,977447 | 1,454886 | 23,132669 |
| 16 | 2,739590 | 23,085027 | 1,452675 | 23,247018 |

Tabelle 13

| Punkt № | Kartesische Koordinaten | | Polarkoordinaten | |
|------------|-------------------------|-----------|------------------|-----------------|
| | x/m | y/m | Winkel ζ | Radius ρ/m |
| 2 | -2,449656 | 22,572154 | 1,678899 | 22,704690 |
| 3 | -2,400802 | 22,476511 | 1,677207 | 22,604366 |
| 5 | -2,355114 | 22,385462 | 1,675618 | 22,509008 |
| 7 | -2,311982 | 22,294931 | 1,674127 | 22,414487 |
| 11 | -2,271313 | 22,207951 | 1,672717 | 22,323798 |
| 15 | -2,233820 | 22,124858 | 1,671420 | 22,237340 |
| 18 | -2,198369 | 22,043394 | 1,670197 | 22,152743 |
| 21 | -2,165523 | 21,962620 | 1,669079 | 22,069123 |

Tabelle 14

| Punkt № | Kartesische Koordinaten | | Polarkoordinaten | |
|------------|-------------------------|-----------|------------------|-----------------|
| | x/m | y/m | Winkel ζ | Radius ρ/m |
| 10 | 5,201987 | 21,448901 | 1,332861 | 22,070705 |
| 14 | 5,245666 | 21,523620 | 1,331740 | 22,153628 |
| 17 | 5,291510 | 21,599125 | 1,330541 | 22,237857 |
| 20 | 5,340704 | 21,676708 | 1,329228 | 22,324936 |
| 23 | 5,392376 | 21,756476 | 1,327841 | 22,414772 |
| 25 | 5,447354 | 21,839059 | 1,326353 | 22,508180 |
| 27 | 5,505921 | 21,924353 | 1,324752 | 22,605142 |

Tabelle 15

| Punkt № | Kartesische Koordinaten | | Polarkoordinaten | |
|------------|-------------------------|-----------|------------------|-----------------|
| | x/m | y/m | Winkel ζ | Radius ρ/m |
| 19 | 0,548562 | 23,126124 | 1,547080 | 23,132629 |
| 22 | 0,594697 | 23,012912 | 1,544960 | 23,020594 |
| 24 | 0,637582 | 22,904465 | 1,542967 | 22,913337 |
| 26 | 0,677965 | 22,796562 | 1,541065 | 22,806642 |

Tabelle 16

Der Vergleich der erhaltenen Ergebnisse mit den erwarteten zeigt die Richtigkeit des Verfahrens. Die geringen Abweichungen sind sowohl auf die unvermeidlichen Rechenungenauigkeiten, als auch auf die leicht unterschiedlichen Modulen der Ausgangsprofile zurückzuführen: Der Modul des Ausgangsprofils ist im aktuellen Beispiel etwas kleiner als der Modul im Beispiel aus Abschnitt 4.

Vergleicht man die in den Tabellen 9 ÷ 12 zusammengefassten Daten, so sieht man, dass für jeden der verwendeten Werte des Parameters t mindestens 2 Berührungspunkte existieren, die zu wie einander entgegengesetzten Zahnflanken gehören. Die Profile müssen sich daher in unzulässigen gegenseitigen Anordnungen schneiden. Die synthetisierte Verzahnung wird allen an sie gestellten Anforderungen gerecht.

8. Der Fall eines Kreisevolventen-Ausgangsprofils

Hat die gegebene zylindrische Oberfläche im Stirnschnitt Kreisevolventenform, so gilt für jede Zahnflanke

$$\frac{\rho(\zeta)\rho'(\zeta)}{\sqrt{[\rho(\zeta)]^2 + [\rho'(\zeta)]^2}} = r \operatorname{sgn} \rho'(\zeta) = \text{const.}$$

Somit folgt aus (6.8)

$$\arctan \frac{\rho'(\zeta)}{\rho(\rho)} - \zeta + \frac{2\pi k}{T} t = \arccos \left(-\frac{2\pi k r}{T \sin \alpha} \operatorname{sgn} \rho'(\zeta) \right) = \text{const} \quad (8.1)$$

und aus (6.18) $z_0 = \text{const}$. Letzteres steht im Einklang mit den in Tabellen 9 + 12 zusammengefassten Ergebnissen der Berechnungen.

Weiterhin folgt aus (5.1) und (6.3)

$$\begin{cases} x_1 = r \sqrt{1 + \phi^2} \cos \left(\phi - \arctan \phi + \zeta_0 - \frac{2\pi}{T} t \right) \\ y_1 = r \sqrt{1 + \phi^2} \sin \left(\phi - \arctan \phi + \zeta_0 - \frac{2\pi}{T} t \right) \end{cases} \quad (8.2)$$

Im Abschnitt 5 wurde für den Bogen einer Kreisevolvente die Identität

$$\arctan \frac{\rho'(\zeta)}{\rho(\zeta)} - \zeta \equiv \frac{\pi}{2} - \phi - \zeta_0$$

angegeben, woraus

$$\frac{\pi}{2} - \phi - \zeta_0 + \frac{2\pi k}{T} t \equiv \arccos \left(-\frac{2\pi k r}{T \sin \alpha} \operatorname{sign} \rho'(\zeta) \right) \equiv \text{const}$$

folgt. Somit gilt

$$\begin{aligned} \phi - \arctan \phi + \zeta_0 - \frac{2\pi k}{T} t &\equiv \frac{\pi}{2} - \frac{\pi}{2} - \arctan \phi + \phi + \zeta_0 - \frac{2\pi k}{T} t \equiv \\ &\equiv \frac{\pi}{2} - \arctan \phi - \frac{\pi}{2} + \phi + \zeta_0 - \frac{2\pi k}{T} t \equiv \beta - \arctan \phi, \end{aligned}$$

wobei β ein konstanter Wert ist. Damit können die Gleichungen (8.2) umgeschrieben werden zu

$$\begin{cases} x_1 = r \sqrt{1 + \phi^2} \cos(\beta - \arctan \phi) = r(\cos \beta + \phi \sin \beta) \\ y_1 = r \sqrt{1 + \phi^2} \sin(\beta - \arctan \phi) = r(\sin \beta - \phi \cos \beta) \end{cases} \quad (8.3)$$

Hieraus folgt, dass die Menge der Punkte $(x_1(\phi), y_1(\phi), z_0)$ eine an das Koordinatensystem $O_1 x_1 y_1 z_1$ gebundene Gerade darstellt. Da sich der Parameter ϕ durch t linear ausdrücken lässt, können die Gleichungen dieser Geraden als

$$\begin{cases} x_1 = x_1(t) \\ y_1 = y_1(t) \\ z_1 = z_0 \end{cases}$$

umgeschrieben werden, wobei $x_1(t)$ und $y_1(t)$ lineare Funktionen des Parameters t sind. Diese Gerade ist der an das verschiebbare Koordinatensystem (nicht an die zylindrische Oberfläche) gebundene geometrische Ort der potentiellen Berührungspunkte der gegebenen und der zu ermittelnden Oberflächen.

9. Literaturverzeichnis

- [1] Isajs Kans-Kagans, Jürgen Zech: *Beitrag zur geometrischen Synthese von Verzahnungen*. Schriftenreihe der Georg-Simon-Ohm-Hochschule Nürnberg Nr. 46, Nürnberg 2010.
- [2] Isajs Kans-Kagans, Michael Haas: *Geometrische Synthese von Verzahnungen mit sich kreuzenden Achsen*. Schriftenreihe der Georg-Simon-Ohm-Hochschule Nürnberg Nr. 51, Nürnberg 2012.
- [3] K.-H. Grote, J. Feldhusen: *Dubbel Taschenbuch für den Maschinenbau*, Springer 2007.
- [4] Gino Loria: *Spezielle algebraische und transzendente ebene Kurven*, Teubner 1911.
- [5] Frank Sperling: *Über die analytische Behandlung des allgemeinen Verzahnungsproblems bei beliebiger Lage der Drehachsen*. Dissertation, Berlin, 1959.
- [6] Ulrich Häussler: *Generalisierte Berechnung räumlicher Verzahnungen und ihre Anwendung auf Wälzfräserherstellung und Wälzfräsen*. Dissertation, Universität Stuttgart, 1999.
- [7] Faydor L. Litvin: *Theory of Gearing*, United States Government Printing, 1989.
- [8] David B. Dooner, Ali A. Seireg: *The kinematic geometry of gearing*, Wiley, 1995.
- [9] Gerhard Brandner: *Räumliche Verzahnungen*. Dissertation, Karl-Marx-Stadt, 1981.
- [10] A. Dyson: *A general theory of the kinematics and geometry of gears in three dimensions*, Clarendon Press, Oxford, 1969.
- [11] Wu Da-ren, Luo Jia-shun *A geometric theory of conjugate tooth surfaces*, World Scientific Singapore, 1992.
- [12] Karl-Heinz Hirschmann: *Beitrag zur Berechnung der Geometrie von evolventen Verzahnungen*. Dissertation, Stuttgart, 1977.
- [13] Ralf Steffens: *Die Profilsteigungsfunktion - ein neuer Weg zur analytischen Bestimmung und Optimierung allgemeiner Profilflankenpaarungen*. Dissertation, Stuttgart, 1993.
- [14] Jack Phillips *General Spatial Involute Gearing*, Springer, 2003.